




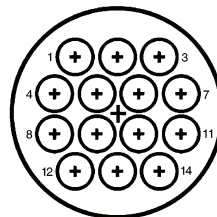
Introduction

Advantages

- Lightweight, all-plastic and metal-shell connectors
- Most CPC connectors are UL 94 V-0 rated and made of stabilized, heat resistant, self-extinguishing thermo-plastic material
- Operating temperature range: -55 °C to +125 °C
- Available in panel or chassis mount and free-hanging configurations
- Quick connect/disconnect capability with thread assist, positive detent coupling
- Built-in pin and socket protection
- Polarized for proper mating of connector halves
- Full complement of optional accessories
- Recognized under the Component Program of Underwriters Laboratories Inc.,  for 250 VAC, rms or 250 VDC, Service†; Series 1 and Series 3 (600 V); Series 2, Series 4, Series 5 and Series 6 (250 V), File No. E28476
- Certified by Canadian Standards Association,  File No. LR 7189
- Produced under a Quality Management System certified to ISO 9001
A copy of the certificate is available upon request. 
- Certain products meet VDE Standard 0627
‡ Select connectors are recognized for 600 volts service.

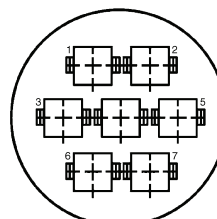


- **Series 1**
Standard density, signal and low-current applications using durable Multimatch contacts (1.57 mm pin diameter)
- **Series 3**
Low density, power applications with Type XII contacts capable of carrying up to 35 amperes of current
- **CPC Series 1 is interchangeable and interchangeable to former TRIAD 10 Products** (see Reference Page 15-17 thru Page 15-19)



Series 1: Size 16 Contacts
Series 1 connectors permit the use of multiple combinations of signal and coaxial circuits in the same housing by accepting durable Multimatch contacts.

These pin and socket contacts include Type III+ and subminiature coaxial contacts, interchangeable in the same Multimatch contact cavity. Type III+ contacts (1.57 mm pin diameter) are capable of carrying a maximum of 13 A when crimped in wire. Type III solder contacts and posted contacts for pc board applications are also available. Many connector arrangements offer both standard and reverse sex contact loading – from 4 thru 37 positions.



Series 3: Power Contacts

Series 3 connectors accept Type XII power contacts which can carry up to 25 amps per contact. These contacts will accommodate a wire size range of 16 to 10 AWG (1.4 to 5.0 mm²). Two connector sizes are available in both standard and reverse sex connector arrangements 3 and 7 positions.

Performance Characteristics

More information on the performance of CPC and metal-shell CPC connectors is available by requesting the following Product Specifications:

108-10024

CPC Connectors

108-10037

Type XII Contacts

108-10020

108-40005

Size 20 DM and 20 DF Contacts

108-10040

Metal-Shell CPC Connectors

108-10042

Type III+ Contacts

108-1579

Sealed CPC Connectors with Removeable Contacts

Test Description	Procedure	Requirements
Maintenance Aging	Contacts removed and reinserted 10 times using applicable tools	No damage to contacts or housings. Contact retention maintained
Contact Retention	Axial load applied to contact to displace to the rear of the connector	Contacts remain in place when subjected to a minimum 10 lb. load*
Dielectric Withstanding Voltage (MIL-STD-1344, Method 3001)	Connectors subjected to 1500 volts rms at sea level	No breakdown or flashover
Thermal Shock	Connectors subjected to five cycles of temperature change (-55 °C and +125 °C)	No damage
Vibration (MIL-STD-202, Method 204, Test Condition B)	Connectors vibrated (wired and mated). Contacts wired in series with 100 milliamperes flowing during the test	No damage or loosening of parts. No interruption of electrical continuity longer than 10 microseconds
Physical Shock (MIL-STD-202, Method 213A, Test Condition A)	Connectors shocked 50 G (wired and mated). Contacts wired in series with 100 milliamperes flowing during the test	No damage or loosening of parts. No interruption of electrical continuity longer than 10 microseconds
Durability	Connectors mated and unmated 25 times with tin plated contacts and 500 times with gold plated contacts	No wear through damage to plating
Corrosion (Salt Spray) (MIL-STD-202, Method 101, Test Condition B)	Mated connectors subjected to 5% salt spray for 48 hours	No damage
Protection Against Solids	a) Test wire is pushed into mated connectors b) Mated connectors subjected to circulating talcum powder	a) Must not touch live parts b) No dust deposits observed on mating surfaces
Protection Against Water	Water is projected through jets against mated connector from any direction and then temporarily immersed in water	No water deposits shall be observed on mating surfaces of contacts or housings
Temperature Life	Mated connectors subjected to a temperature of +125 °C for 200 hours	No damage
Insulation Resistance (MIL-STD-1344, Method 3003)	Measurement made between adjacent contacts with connector mated	5000 megohms minimum ambient temperature
Humidity (MIL-STD-202, Method 103, Test Condition B)	Mated connectors subjected to 10 days moisture test	Minimum insulation resistance of 100 megohms

*) For size 16 contacts. Size 8 contacts 25 lb. load minimum.

Circular Plastic Connectors – Series 1

**Normal Gender
Receptacle Housing
with Square Flange
(Panel Mount with
Mounting Holes) for Size 16
Type III+ Pin Contacts**



Shell Size	No. of Poles	Style / Gender	Flammability Rating	Part Number	Package Quantity
11	4	Standard Sex	UL 94 V-0	182917-1	100
13	9	Standard Sex	UL 94 V-0	182922-1	100
17	9	Standard Sex	UL 94 V-0	211767-1	100
17	14	Standard Sex	UL 94 V-0	183040-1	100
17	16	Standard Sex	UL 94 V-0	182916-1	100
23	24	Standard Sex	UL 94 V-0	183075-1	100
23	37	Standard Sex	UL 94 V-0	182918-1	100

**Normal Gender
Receptacle Housing
(Free-Hanging)
for Size 16 Type III+
Pin Contacts**



Shell Size	No. of Poles	Style / Gender	Flammability Rating	Part Number	Package Quantity
11	4	Standard Sex	UL 94 V-0	182919-1	100
13	9	Standard Sex	UL 94 V-0	183079-1	100
17	16	Standard Sex	UL 94 V-0	183077-1	100
23	24	Standard Sex	UL 94 V-0	206838-2	10
23	37	Standard Sex	UL 94 V-0	206151-2	10

**Normal Gender
Plug
for Size 16 Type III+
Socket Contacts**



Shell Size	No. of Poles	Style / Gender	Flammability Rating	Part Number	Package Quantity
11	4	Standard Sex	UL 94 V-0	182647-1	100
13	9	Standard Sex	UL 94 V-0	182645-1	100
17	9	Standard Sex	UL 94 V-0	211766-1	100
17	14	Standard Sex	UL 94 V-0	183039-1	100
17	16	Standard Sex	UL 94 V-0	182642-1	100
23	24	Standard Sex	UL 94 V-0	183073-1	100
23	37	Standard Sex	UL 94 V-0	182923-1	100

Circular Plastic Connectors – Series 1 (continued)

**Reverse Gender
Receptacle Housing
with Square Flange
(Panel Mount with
Mounting Holes) for Size 16
Type III+ Socket Contacts**



Shell Size	No. of Poles	Style / Gender	Flammability Rating	Part Number	Package Quantity
11	4	Reverse Sex	UL 94 V-0	182921-1	100
17	9	Reverse Sex	UL 94 V-0	211769-1	100
17	14	Reverse Sex	UL 94 V-0	182641-1	100
23	37	Reverse Sex	UL 94 V-0	182920-1	100

**Reverse Gender
Receptacle Housing
(Free-Hanging)
for Size 16 Type III+
Socket Contacts**



Shell Size	No. of Poles	Style / Gender	Flammability Rating	Part Number	Package Quantity
11	4	Reverse Sex	UL 94 V-0	183083-1	100
17	9	Reverse Sex	UL 94 V-1	211769-3	100
17	14	Reverse Sex	UL 94 V-0	206043-3	10
23	37	Reverse Sex	UL 94 V-0	206306-2	10

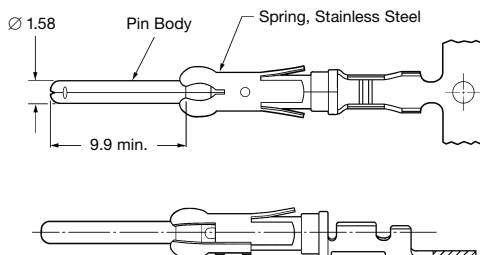
**Reverse Gender
Plug
for Size 16 Type III+
Pin Contacts**



Shell Size	No. of Poles	Style / Gender	Flammability Rating	Part Number	Package Quantity
11	4	Reverse Sex	UL 94 V-0	182651-1	100
17	9	Reverse Sex	UL 94 V-0	211768-1	100
17	14	Reverse Sex	UL 94 V-0	182649-1	100
23	37	Reverse Sex	UL 94 V-0	182926-1	100

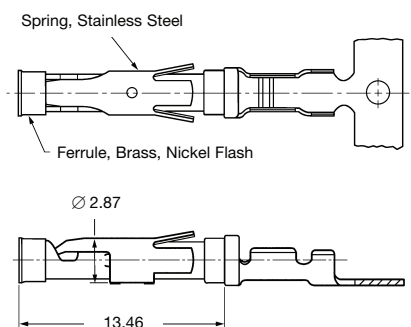
Pin and Socket Contacts for Series 1 Housings

Size 16
Type III+ Pin Contact
(Loose-Piece)



Wire Size Range (mm ²)	AWG	Insulation Diameter (mm)	Material and Finish	Part Number	Package Quantity	Hand Tool
				Pin Contact		
0.12–0.20	26–24	0.9–1.4	Brass, tin plated	163090-1	200	169475-1
			Brass, 0.76 µm gold plated	163090-2		
0.20–0.56	24–20	1.15–1.80	Brass, tin plated	163086-1	200	169475-1
			Brass, 0.76 µm gold plated	163086-2		
0.75–1.50	18–16	2.0–2.5	Brass, tin plated	163082-1	200	169422-1
			Brass, 0.76 µm gold plated	163082-2		
0.8–2.0	18–14	2.0–2.5	Brass, 0.76 µm gold plated	66361-4	1,000	91519-1

Size 16
Type III+ Socket Contact
(Loose-Piece)

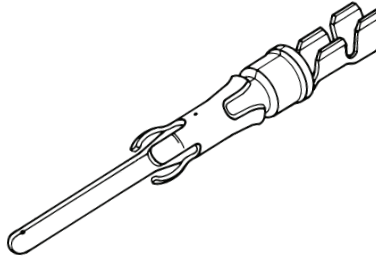


Wire Size Range (mm ²)	AWG	Insulation Diameter (mm)	Material and Finish	Part Number	Package Quantity	Hand Tool
				Socket Contact		
0.12–0.20	26–24	0.9–1.4	Brass, tin plated	163092-1	200	169475-1
			Brass, 0.76 µm gold plated	163092-2		
0.20–0.56	24–20	1.15–1.80	Brass, tin plated	163088-1	200	169475-1
			Brass, 0.76 µm gold plated	163088-2		
0.75–1.50	18–16	2.0–2.5	Brass, tin plated	163084-1	200	169422-1
			Brass, 0.76 µm gold plated	163084-2		
0.8–2.0	18–14	2.0–2.5	Brass, 0.76 µm gold plated	66360-4	1,000	91519-1

Note: Extraction Tool, Part No. 539972-1

Grounding Pin and Replacement Coupling Ring

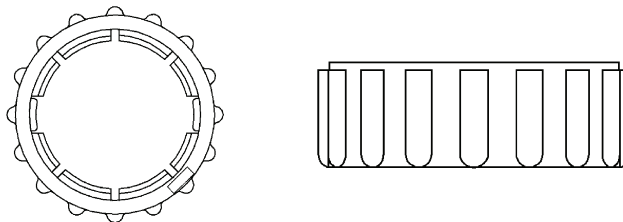
Size 16
Type III+ Grounding Pin
(Loose-Piece)



Wire Size Range (mm ²)	AWG	Insulation Diameter (mm)	Material and Finish	Part Number	Package Quantity	Hand Tool
				Pin Contact		
0.12–0.20	26–24	0.9–1.4	Brass, tin plated	164162-1	200	169475-1
			Brass, 0.76 µm gold plated	164162-2		
0.20–0.56	24–20	1.15–1.80	Brass, tin plated	164163-1	200	169475-1
			Brass, 0.76 µm gold plated	164163-2		
0.8–1.4	18–16	2.0–2.5	Brass, tin plated	164164-1	200	169422-1
			Brass, 0.76 µm gold plated	164164-2		

Additional Size 16 Contacts like, High Current, Power, Solder. Posted, Screw-Machined, Coax or Plastic Fiber Contacts are available on request.

Replacement Coupling Ring



Shell Size	Flammability Rating	Part Number	Package Quantity
11	UL 94 V-0	213811-1	1
13	UL 94 V-0	213813-1	1
17	UL 94 V-0	213810-1	1
23	UL 94 V-0	213812-1	1

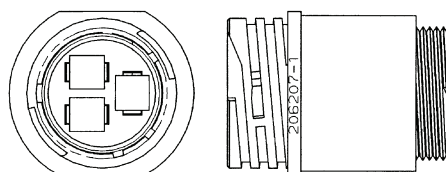
Circular Plastic Connectors – Series 3

**Receptacle Housing
with Square Flange
(Panel Mount with
Mounting Holes)
for Type XII Pin Contacts**



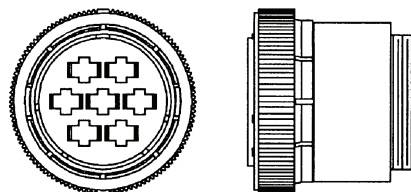
Shell Size	No. of Poles	Style / Gender	Flammability Rating	Part Number	Package Quantity
17	3	Standard Sex	UL 94 V-0	206036-2	1
23	7	Standard Sex	UL 94 V-0	206137-1	1

**Receptacle Housing
(Free-Hanging)
for Type XII Pin Contacts**



Shell Size	No. of Poles	Style / Gender	Flammability Rating	Part Number	Package Quantity
17	3	Standard Sex	UL 94 V-0	206207-1	1
23	7	Standard Sex	UL 94 V-0	206137-2	1

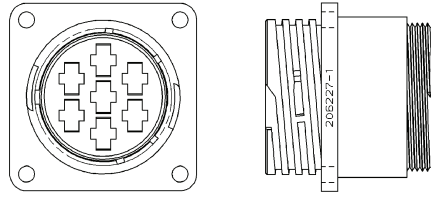
**Plug
for Type XII Pin Contacts**



Shell Size	No. of Poles	Style / Gender	Flammability Rating	Part Number	Package Quantity
17	3	–	UL 94 V-0	206037-2	100
23	7	–	UL 94 V-0	206136-1	100

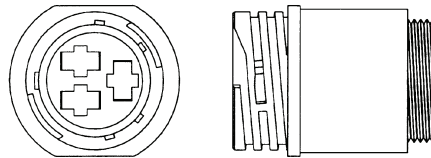
Circular Plastic Connectors – Series 3 (continued)

**Receptacle Housing
with Square Flange
(Panel Mount with
Mounting Holes)
for Type XII Female Contacts**



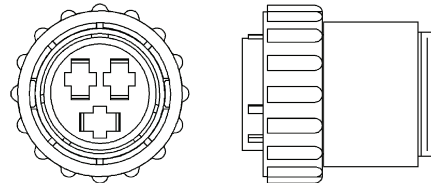
Shell Size	No. of Poles	Style / Gender	Flammability Rating	Part Number	Package Quantity
17	3	Reverse Sex	UL 94 V-0	206425-1	1
23	7	Reverse Sex	UL 94 V-0	206227-1	150

**Receptacle Housing
(Free-Hanging)
for Type XII
Female Contacts**



Shell Size	No. of Poles	Style / Gender	Flammability Rating	Part Number	Package Quantity
17	3	Reverse Sex	UL 94 V-0	206425-2	1
23	7	Reverse Sex	UL 94 V-0	206227-2	150

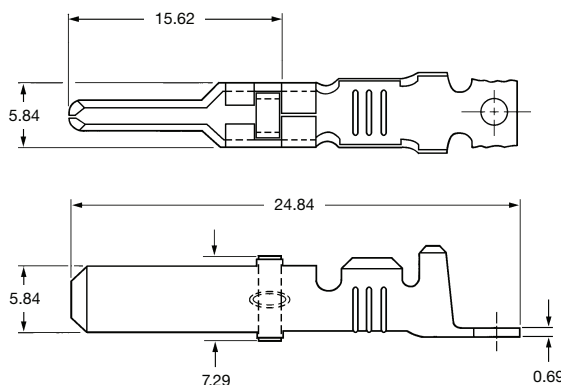
**Plug
for Type XII Male Contacts**



Shell Size	No. of Poles	Style / Gender	Flammability Rating	Part Number	Package Quantity
17	3	Standard Sex	UL 94 V-0	206426-1	100
23	7	Standard Sex	UL 94 V-0	206226-1	100

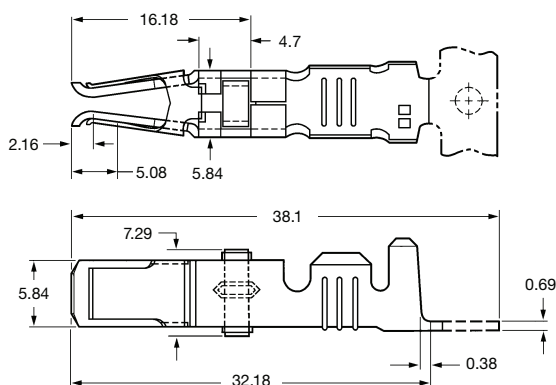
Male, Ground and Female Contacts for Series 3 Housings

Type XII Male Contact and Ground Contact (Loose-Piece)



Wire Size Range		Insulation Diameter (mm)	Material and Finish	Part Numbers		Package Quantity	Hand Tool
(mm ²)	AWG			Male Contact	Ground Contact		
1.25–3.00	16–12	3.4–4.0	Copper, 0.76 µm gold plated	66261-2	66262-2	100	See Notes
			Copper, silver plated	66261-4	66262-4		
5.0–6.0	10	4.8–5.6	Copper, 0.76 µm gold plated	66259-2	66260-2	100	See Notes
			Copper, silver plated	66259-4	66260-4		

Type XII Female Contact (Loose-Piece)



Wire Size Range		Insulation Diameter (mm)	Material and Finish	Part Number	Package Quantity	Hand Tool
(mm ²)	AWG			Female Contact		
1.25–3.00	16–12	3.4–4.0	CuZn, 0.76 µm vergoldet	66740-6	100	See Notes
			Copper, silver plated	66740-2		
5.0–6.0	10	4.8–5.6	CuZn, 0.76 µm vergoldet	66741-6	100	See Notes
			Copper, silver plated	66741-2		

Notes: Use "C" Head Straight Action Hand Tool, Part No. 69710-1 with Die Assemblies
 Part No. 90140-1 for Type XII Contacts AWG 10 (5.0–6.0 mm²)
 Part No. 90145-1 for Type XII Contacts AWG 12 (3.0–4.0 mm²)
 Part No. 90145-2 for Type XII Contacts AWG 16 (1.25–1.5 mm²)
 See Instruction Sheet 408-7175

Alternatively **Heavy Head Hand Tools (HHHT)** can be used.

Part No. 90382-2 for Type XII Contacts AWG 16–12 (1.5–4.0 mm²), see Instruction Sheet 408-6561

Part No. 90384-1 for Type XII Contacts AWG 10–8 (5–10 mm²), see Instruction Sheet 408-6510

Extraction Tool, Part No. 91019-3

Connector Accessories

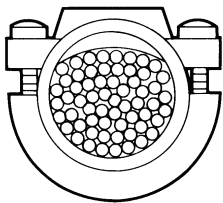
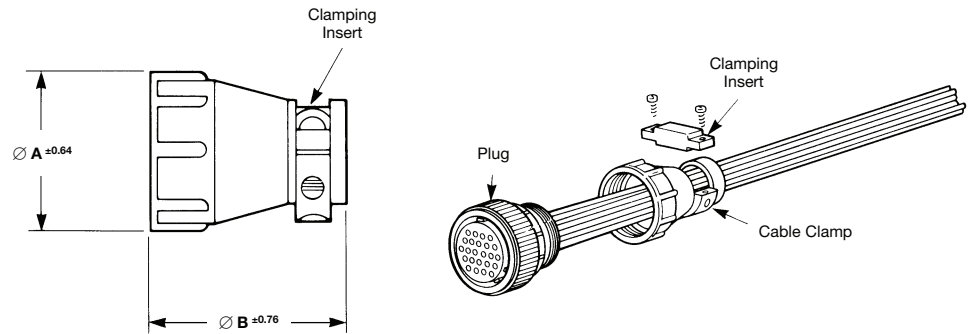
Cable Clamps

Cable clamps provide strain relief and can be used on all series receptacles and plugs.

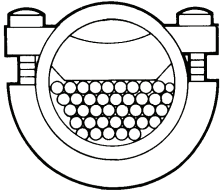
Material:

Black thermoplastic heat-stabilized, fire-resistant, self-extinguishing, UL 94 V-0 rated

Standard Size



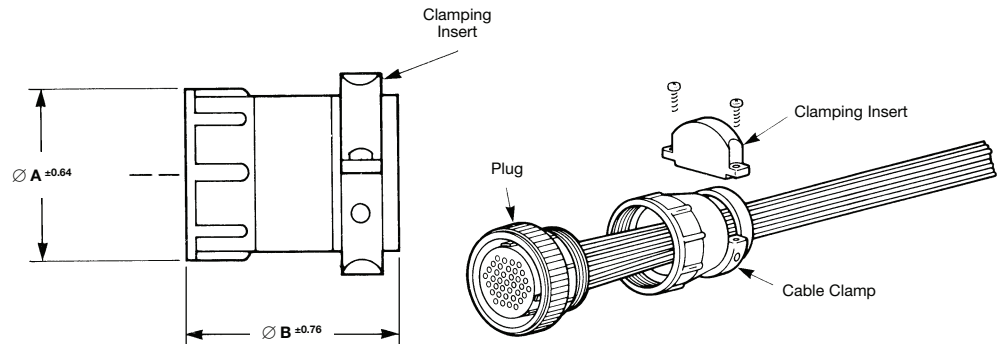
The clamping area can be adjusted by reversing the clamping insert as shown below.



For additional information concerning cable clamps, refer to Instruction Sheet 408-7582.

Shell Size	Dimensions (mm)		Cable Outer Diameter max. (mm)	Thread Size	Part Number	Package Quantity
	A	B				
11	20.96	31.75	8.36	5/8-24 UNEF-2B	182658-1	100
13	24.13	35.56	11.51	3/4-20 UNEF-2B	182663-1	100
17	28.58	35.56	11.51	15/16-20 UNEF-2B	182655-1	100
23	40.64	39.50	17.86	1-3/8-18 UNEF-2B	182652-1	100

Large Size



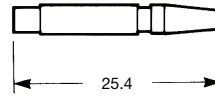
Shell Size	Dimensions (mm)		Cable Outer Diameter max. (mm)	Thread Size	Part Number	Package Quantity
	A	B				
11	21.59	36.83	11.51	5/8-24 UNEF-2B	182928-1	100
13	28.73	42.04	17.86	3/4-20 UNEF-2B	207008-5	100
17	28.73	42.04	17.86	15/16-20 UNEF-2B	182661-1	100
23	40.64	42.04	28.58	1-3/8-18 UNEF-2B	182930-1	100

Connector Accessories (continued)

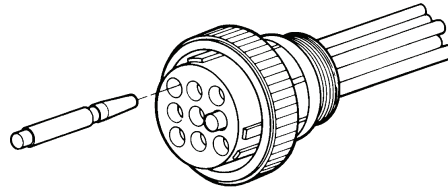
Keying Plugs

Keying plugs are used to provide keying capabilities for all connector series. Keying plugs are used in socket cavities of standard sex plugs and reverse sex receptacles, except when used with sealing caps.

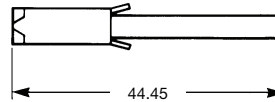
Series 1



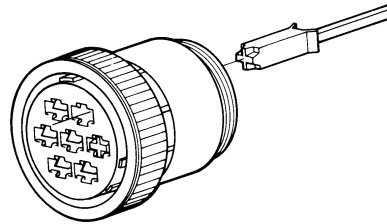
Pin Cavities:
Part No. 183047-1
Socket Cavities:
Part No. 183046-1



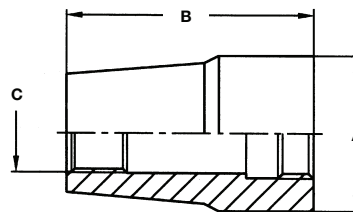
Series 3



Pin Cavities:
Part No. 206508-1
Socket Cavities:
Part No. 207597-1



Plastic Backshell with PG Thread



Shell Size	Description for Reference only	Dimensions (mm)			Part Number	Package Quantity
		A (for Ref.)	B (for Ref.)	C (for Ref.)		
11	T118GA-PG9	21.5	43.0	PG9	1-1437723-4	25
17	T118GA-PG11	30.0	43.0	PG11	4-1437723-4	25
17	T178GA-PG13	30.0	43.0	PG13.5	4-1437723-7	25
23	T178GA-PG16	40.0	43.0	PG16	7-1437723-9	25
23	T238GA-PG21	40.0	43.0	PG21	8-1437723-2	20

Introduction

Sealing Caps

Sealing caps are used to protect exposed contacts of unmated receptacles.

Material and Finish:

Cap:

Thermoplastic, heat stabilized, fire resistant, self-extinguishing, UL 94 V-1 rated, black

Sealing Gasket:

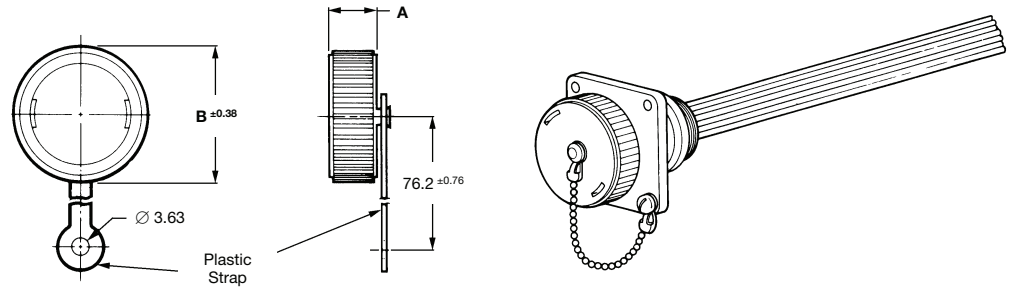
Neoprene, black

Bead Chain:

Steel, nickel plated

Bead Chain Coupling:

Brass, nickel plated



Sealing Cap for Receptacles only

Shell Size	Series	Dimensions (mm)		Part Numbers		Package Quantity
		A	B	with Plastic Strap	with Metal Bead Chain	
11	1	9.14	23.55	206903-1	208800-1	100
13	1	9.14	26.80	211870-1	213485-1	100
17	1 & 3	9.14	32.89	207445-1	208652-1	100
23	1 & 3	11.68	43.89	207446-1	208680-1	100

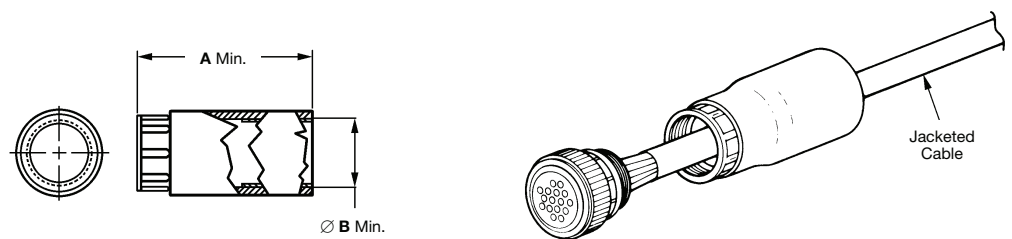
Sealing Cap for Plug Housing only

Shell Size	Series	Dimensions (mm)		Part Numbers	Package Quantity
		A	B	with Plastic Strap	
11	1	9.14	23.55	206903-1	50
17	1 & 3	9.14	32.89	207445-1	50
23	1	11.68	43.89	207446-1	50

Cable Entry Seals

Heat Shrinkable Sealing Boots

Cable entry seals are used with jacketed cable to provide an environmentally sealed wire-to-connector system. They can be used with either plugs or receptacles.



Shell Size	Dimensions (mm)		Expanded Wall Thickness (mm)	Max. Recovered Wall Thickness (mm)	Sealing Diameter Range (mm)	Part Number	Package Quantity
	A	B					
11	63.5	15.88	2.03 Ref.	2.59 Ref.	6.60-15.25	54010-1	50
13	63.5	19.68	2.03 Ref.	2.59 Ref.	9.53-18.42	54123-1	50
17	63.5	24.76	2.03 Ref.	2.59 Ref.	10.16-22.22	54011-1	50
	76.2	24.76	2.03 Ref.	2.59 Ref.	10.16-22.22	54011-3	50
23	76.2	31.75	2.03 Ref.	2.59 Ref.	13.97-31.75	54012-1	50

Thick Wall Boots

Material:

Internal Sleeve:

Polyamide

Outer Tubing:

Polyolefine

Introduction

Applications

- Machine Tools
- Switchboards
- Industrial Electronics
- Automotive
- Agricultural Machinery
- Automatic Vending Machines
- Medical Diagnostic Equipment
- Aviation Equipment



Tyco Electronics expands its range of CPC Circular Connector Kits to meet market requirements.

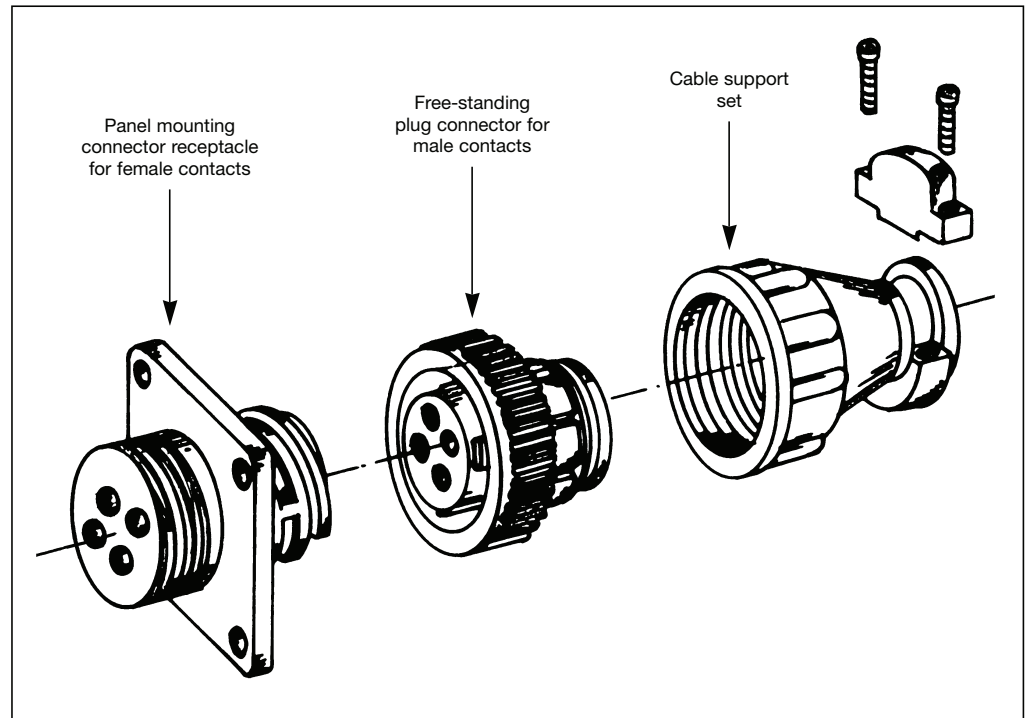
The connectors, in keeping with all the CPC series, can replace any metal-shell circular connector, thanks to their design and technology.

Built with fiberglass reinforced nylon (polyamide), they offer a 50% reduction in weight, with additional benefits in terms of quality, safety, application and cost.

Reverse Version Panel Mounting – Assembly Instructions

Assembly Instructions

- **Insert Contacts (mounted on cable) into corresponding connectors, from the rear**
- **Assemble all necessary elements, as shown in the diagram, according to each application**



These Kits provide all the necessary components, including contacts, to assemble the CPC connectors. Assembly instructions are included.

Application Tooling

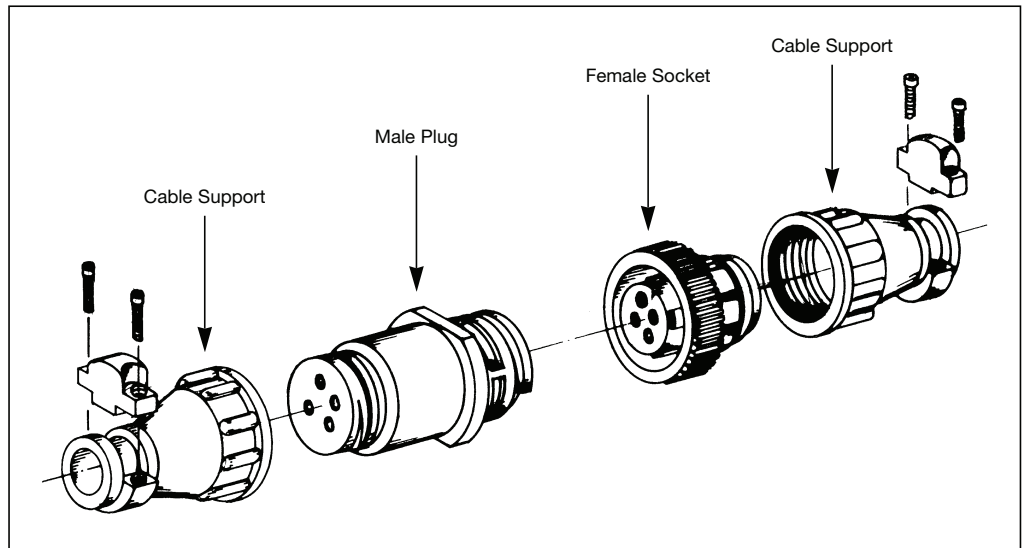
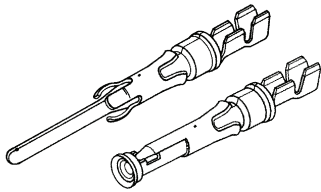
Tooling	Part Number
Hand Tool	169422-1
Insertion Tool	200893-2
Extraction Tool	305183-0

CPC Connector Kits (Type III+ Standard Version)

Free-Hanging Assembly

Each Kit in this version includes:

- 1 free-hanging male plug
- 1 free-hanging female socket
- 2 cable supports
- Type III+ male and female tin or gold plated contacts
Diameter: 0.8–1.5 mm²

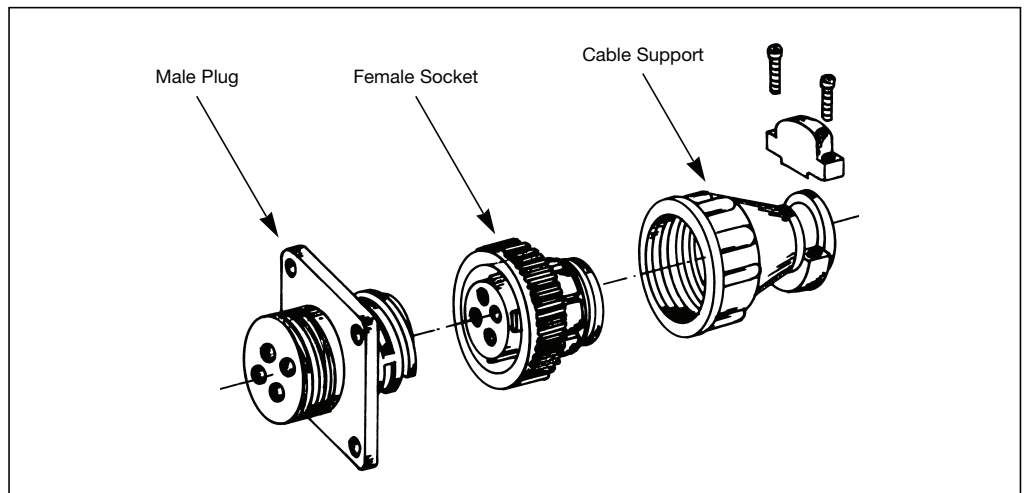
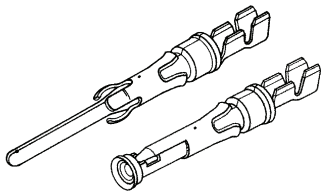


Size	No. of Positions	Kit Part Numbers		Package Quantity
		Tin Plated Contacts	Gold Plated Contacts	
11	4	737094-2	1365977-2	50
13	9	737095-2	1365978-2	50
17	16	737096-2	1365979-2	50
23	24	737097-2	1365980-2	50
23	37	737098-2	1365981-2	50

Panel Mounting

Each Kit in this version includes:

- 1 panel mounting male plug
- 1 female socket
- 1 cable supports
- Type III+ male and female tin or gold plated contacts
Diameter: 0.8–1.5 mm²



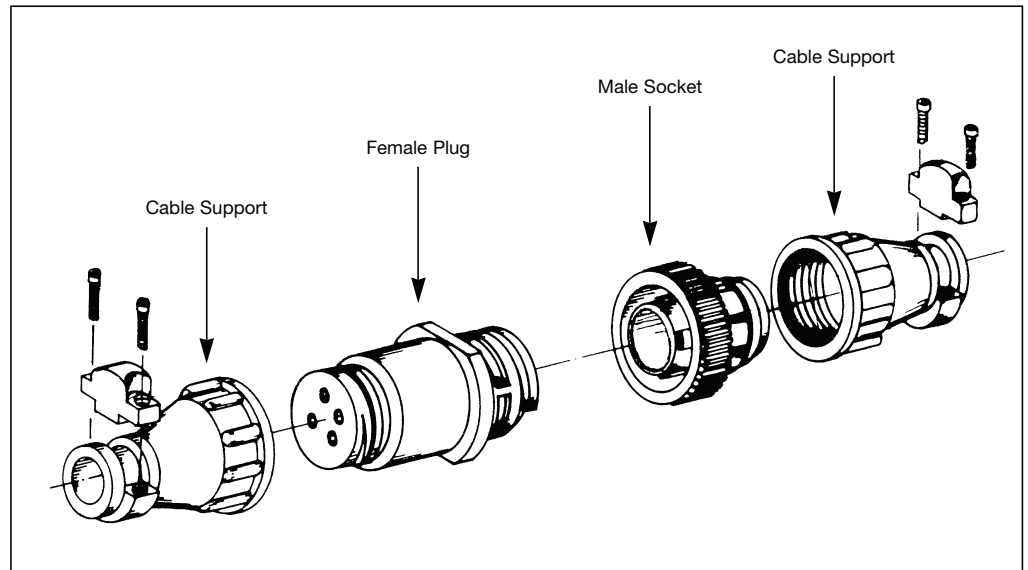
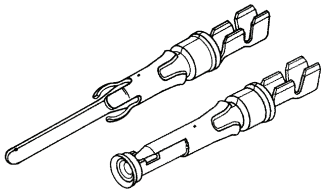
Size	No. of Positions	Kit Part Numbers		Package Quantity
		Tin Plated Contacts	Gold Plated Contacts	
11	4	737094-1	1365977-1	50
13	9	737095-1	1365978-1	50
17	16	737096-1	1365979-1	50
23	24	737097-1	1365980-1	50
23	37	737098-1	1365981-1	50

CPC Connector Kits (Type III+ Reverse Version)

Free-Hanging Assembly

Each Kit in this version includes:

- 1 free-hanging female socket
- 1 free-hanging male plug
- 2 cable supports
- Type III+ male and female tin or gold plated contacts
Diameter: 0.8–1.5 mm²

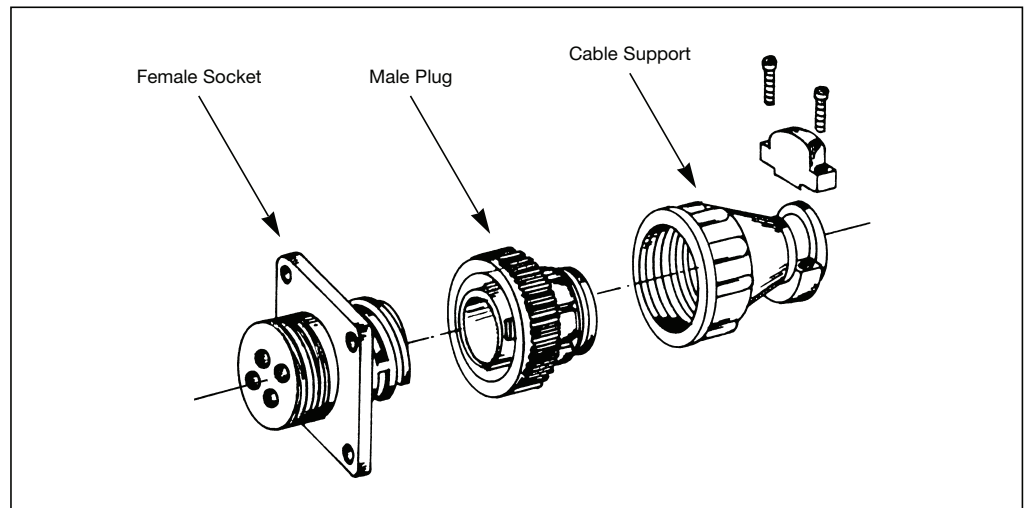
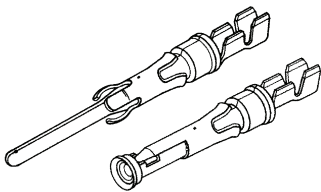


Size	No. of Positions	Kit Part Numbers		Package Quantity
		Tin Plated Contacts	Gold Plated Contacts	
11	4	336418-1	1365982-1	50
17	14	336420-1	1365984-1	50
23	37	–	1365986-1	50

Panel Assembly

Each Kit in this version includes:

- 1 panel mounting female socket
- 1 free-hanging male plug
- 1 cable holder
- Type III+ male and female tin or gold plated contacts
Diameter: 0.8–1.5 mm²



Size	No. of Positions	Kit Part Numbers		Package Quantity
		Tin Plated Contacts	Gold Plated Contacts	
11	4	336419-1	1365983-1	50
17	14	336421-1	1365985-1	50
23	37	–	1365987-1	50

Reference for CPC Series 1 and TRIAD 10 Connectors

Size and No. of Ways	Description	Key	VDE appr.	Former T&B Code	Part Numbers			
					Standard CPC	Standard CPC Second Source	One Piece Sealed CPC (IP 67) Standard	Two Piece Sealed CPC (IP 65) Standard
11-4	Receptacle conn. panel mount (PIN)	A		T1130-P04	182917-1	206061-1	796095-2	206061-2
	Rec. conn. panel mount + 4-40 inserts (PIN)	A			208130-1	-	-	-
	Receptacle conn. cable mount (PIN)	A		T1120-P04	182919-1	206153-1	796096-2	206153-2
	Plug connector (PIN)	A		T1110-P04	182651-1	206429-1	788153-2	-
	Receptacle conn. panel mount (SOCKET)	A		T1130-S04	182921-1	206430-1	788154-2	206430-3
	Rec. conn. panel mount + 4-40 inserts (SOCKET)	A			211102-1	-	-	-
	Receptacle conn. cable mount (SOCKET)	A		T1120-S04	183083-1	206430-2	788155-2	206430-4
	Plug connector (SOCKET)	A		T1110-S04	182647-1	206060-1	796094-2	-
Accessories Size 11	Backshell cable clamp (small)			T118SR-33	182658-1	1-206062-6	-	-
	Backshell cable clamp (large)			T118SR-45	182928-1	206358-5	-	-
	Backshell with PG 9 thread			T118GA-PG9	1-1437723-4*	-	-	-
	Cable entry seal			T118ES-26	54010-1	-	-	-
	Sealing ring			T118SR	206403-1	-	-	-
	Coupling ring				213811-1	-	-	-
	90° Backshell cable clamp (open)				796379-2	-	-	-
	90° Backshell cable clamp (closed)				1546347-2	-	-	-
	Panel mount sealing gasket			M118GSK	81665-3	-	-	-
	Receptacle protective cap metal chain			T118DCR	208800-1	-	-	-
	Receptacle protective cap plastic strap				206903-1	-	-	-
	Plug protective cap plastic strap			T118DCP	183042-1	-	-	-
13-7	Receptacle conn. panel mount (PIN)	A	yes		211401-1	-	-	-
	Rec. conn. panel mount + 4-40 inserts (PIN)	A	yes		211401-4	-	-	-
	Plug connector (PIN)	A	yes		211400-1	-	-	-
	Receptacle conn. panel mount (SOCKET)	A	yes		211398-1	-	-	-
	Rec. conn. panel mount + 4-40 inserts (SOCKET)	A	yes		211398-4	-	-	-
	Receptacle conn. cable mount (SOCKET)	A	yes		211398-2	-	-	-
	Plug connector (SOCKET)	A	yes		211399-1	-	-	-
13-9	Receptacle conn. panel mount (PIN)	A			182922-1	206705-1	788158-2	206705-3
	Rec. conn. panel mount + 4-40 inserts (PIN)	A			208131-1	-	-	208131-2
	Receptacle conn. cable mount (PIN)	A			183079-1	206705-2	788159-2	206705-4
	Plug connector (SOCKET)	A			182645-1	206708-1	788157-2	-
Accessories Size 13	Backshell cable clamp (small)				182663-1	206966-7	-	-
	Backshell cable clamp (large)				207008-5	-	-	-
	Cable entry seal				54123-1	-	-	-
	Sealing ring				206403-4	-	-	-
	Coupling ring				213813-1	-	-	-
	90° Backshell cable clamp (open)				796380-2	-	-	-
	90° Backshell cable clamp (closed)				1546348-2	-	-	-
	90° Backshell cable clamp (closed-small)				213982-1	-	-	-
	Receptacle protective cap metal chain				213485-1	-	-	-
	Receptacle protective cap plastic strap				211870-1	-	-	-
	Panel mount sealing gasket				81665-4	-	-	-

*) This Products are UL 94 V-1 rated, all others are UL 94 V-0 rated.

Reference for CPC Series 1 and TRIAD 10 Connectors (continued)

Size and No. of Ways	Description	Key	VDE appr.	Former T&B Code	Part Numbers			
					Standard CPC	Standard CPC Second Source	One Piece Sealed CPC (IP67) Standard	Two Piece Sealed CPC (IP65) Standard
17-9	Receptacle conn. panel mount (PIN)	A	yes	T1730-P09	211767-1	-	-	-
	Rec. conn. panel mount + 4-40 inserts (PIN)	A	yes		211767-2	-	-	-
	Receptacle conn. cable mount (PIN)	A	yes	T1720-P09	3-1437723-1*	-	-	-
	Plug connector (PIN)	A	yes	T1710-P09	211768-1	-	-	-
	Plug connector (PIN)	B	yes		796450-1	-	-	-
	Receptacle conn. panel mount (SOCKET)	A	yes	T1730-S09	211769-1	-	-	-
	Receptacle conn. panel mount (SOCKET)	B	yes		796439-2	-	-	-
	Receptacle conn. cable mount (SOCKET)	A	yes	T1720-S09	211769-3	-	-	-
	Plug connector (SOCKET)	A	yes	T1710-S09	211766-1	-	-	-
17-14	Receptacle conn. panel mount (PIN)	A		T1730-P14	183040-1	-	-	-
	Receptacle conn. cable mount (PIN)	A		T1720-P14	3-1437723-2*	-	-	-
	Plug connector (PIN)	A		T1710-P14	182649-1	206044-1	796271-1	-
	Plug connector (PIN)	B			796449-1	-	-	-
	Receptacle conn. panel mount (SOCKET)	A		T1730-S14	182641-1	206043-1	796272-1	-
	Receptacle conn. panel mount (SOCKET)	B			796437-2	-	-	-
	Rec. conn. panel mount + 4-40 inserts (SOCKET)	A			211103-1	-	-	-
	Receptacle conn. cable mount (SOCKET)	A		T1720-S14	206043-3	-	796273-1	-
Plug connector (SOCKET)	A		T1710-S14	183039-1	-	-	-	
17-16	Receptacle conn. panel mount (PIN)	A			182916-1	206036-1	-	206036-4
	Receptacle conn. panel mount (PIN)	B			213862-1	-	-	-
	Rec. conn. panel mount + 4-40 inserts (PIN)	A			206036-8	-	-	-
	Rec. conn. panel mount (PIN) small ins. Diam.	A			-	-	796275-2	-
	Receptacle conn. cable mount (PIN)	A			183077-1	206036-3	796276-1	206036-5
	Rec. conn. cable mount (PIN) small ins. Diam.	A			-	-	796276-2	-
	Plug connector (SOCKET)	A			182642-1	206037-1	796274-1	-
	Plug connector (SOCKET)	B			213849-1	-	-	-
	Plug connector (SOCKET) small ins.	A			-	-	796274-2	-
Accessories Size 17	Backshell cable clamp (small)			T178SR-45	182655-1	206070-8	-	-
	Backshell cable clamp (large)			T178SR-70	182661-1	206322-9	-	-
	Backshell with PG thread 11			T178GA-PG11	4-1437723-4*		-	-
	Backshell with PG thread 13			T178GA-PG13	4-1437723-7*		-	-
	Cable entry seal			T178ES-40	54011-1	-	-	-
	Cable entry seal thin wall boot				213933-1	-	-	-
	Sealing ring			T178SR	206403-2	-	-	-
	Coupling ring				213810-1	-	-	-
	90° Backshell cable clamp (closed)				1546349-2	-	-	-
	Panel mount sealing gasket			M178GSK	81665-2	-	-	-
	Receptacle protective cap metal chain			T178DCR	208652-1	-	-	-
	Receptacle protective cap plastic strap				207445-1	-	-	-
	Plug protective cap			T178DCP	183041-1	-	-	-

*) This Products are UL 94 V-1 rated, all others are UL 94 V-0 rated.

Reference for CPC Series 1 and TRIAD 10 Connectors (continued)

Size and No. of Ways	Description	Key	VDE appr.	Former T&B Code	Part Numbers			
					Standard CPC	Standard CPC Second Source	One Piece Sealed CPC (IP 67) Standard	Two Piece Sealed CPC (IP 65) Standard
23-19	Receptacle conn. panel mount (PIN)	A	yes		211771-1	-	-	-
	Receptacle conn. panel mount (PIN)	B	yes		213870-1	-	-	-
	Rec. conn. panel mount + 4-40 inserts (PIN)	A	yes		211771-2	-	-	-
	Plug connector (PIN)	A	yes		211772-1	-	-	-
	Plug connector (PIN)	B	yes		213852-1	-	-	-
	Receptacle conn. panel mount (SOCKET)	A	yes		211773-1	-	-	-
	Receptacle conn. panel mount (SOCKET)	B	yes		213868-1	-	-	-
	Plug connector (SOCKET)	A	yes		211770-2	-	-	-
	Plug connector (SOCKET)	B	yes		213853-1	-	-	-
23-24	Receptacle conn. panel mount (PIN)	A		T2330-P24	183075-1	206838-1	796190-1	206838-3
	Receptacle conn. panel mount (PIN)	B			213866-1	-	-	-
	Rec. conn. panel mount + 4-40 inserts (PIN)	A			211839-1	-	-	-
	Receptacle conn. cable mount (PIN)	A		T2320-P24	206838-2	-	796291-1	206838-4
	Plug connector (PIN)	A		T2310-P24	5-1437723-9*	-	-	-
	Receptacle conn. panel mount (SOCKET)	A		T2330-S24	7-1437723-4*	-	-	-
	Receptacle conn. cable mount (SOCKET)	A		T2320-S24	6-1437723-8*	-	-	-
	Plug connector (SOCKET)	A		T2310-S24	183073-1	206837-1	796188-1	-
	Plug connector (SOCKET)	B			213851-1	-	-	-
23-37	Receptacle conn. panel mount (PIN)	A		T2330-P37	182918-1	206151-1	796286-1	206151-3
	Receptacle conn. panel mount (PIN)	A			213860-1	-	-	-
	Rec. conn. panel mount + 4-40 inserts (PIN)	A			787610-1	-	-	-
	Receptacle conn. cable mount (PIN)	A		T2320-P37	206151-2	-	796287-1	206151-4
	Plug connector (PIN)	A		T2310-P37	182926-1	206305-1	-	-
	Plug connector (PIN)	B			213850-1	-	-	-
	Receptacle conn. panel mount (SOCKET)	A		T2330-S37	182920-1	206306-1	-	-
	Receptacle conn. panel mount (SOCKET)	B			213864-1	-	-	-
	Rec. conn. panel mount + 4-40 inserts (SOCKET)	A			206306-5	-	-	-
	Receptacle conn. cable mount (SOCKET)	A		T2320-S37	206306-2	-	-	-
	Plug connector (SOCKET)	B			213848-1	-	-	-
	Plug connector (SOCKET)	A		T2310-S37	182923-1	206150-1	796288-1	-
Accessories Size 23	Backshell cable clamp (small)			T238SR-70	182652-1	206138-8	-	-
	Backshell cable clamp (large)			TS238SR-112	182930-1	206512-5	-	-
	Backshell with PG thread 16			T238GA-PG16	7-1437723-9*	-	-	-
	Backshell with PG thread 21			T238GA-PG21	8-1437723-2*	-	-	-
	Cable entry seal			T238ES-55	54012-1	-	-	-
	Sealing ring			T238SR	206403-3	-	-	-
	Coupling ring				213812-1	-	-	-
	90° Backshell cable clamp (open)				796382-2	-	-	-
	90° Backshell cable clamp (closed)				1546350-2	-	-	-
	Panel mount sealing gasket			M238GSK	81665-5	-	-	-
	Receptacle protective cap metal chain			T238DCR	208680-1	-	-	-
	Receptacle protective cap plastic strap				207446-1	-	-	-
	Plug protective cap			T238DCP	9-1437723-7*	-	-	-

*) This Products are UL 94 V-1 rated, all others are UL 94 V-0 rated.