

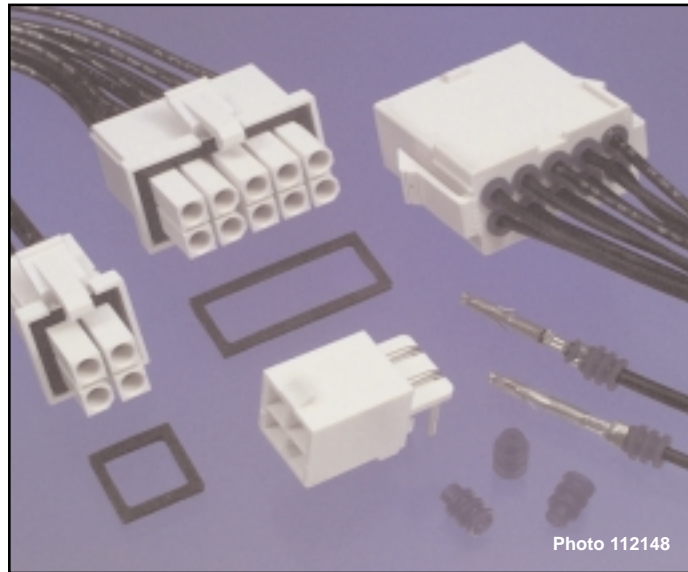
Mini-Universal MATE-N-LOK Sealed Connector System

DESCRIPTION

- The Mini-Universal MATE-N-LOK Sealed Connector System is a small, wire-to-wire and wire-to-board connector system that provides the advantages of using a proven product technology in a splash-proof environment.
- Conversion to a splash-proof product can be achieved with minimal changes to current Mini-Universal MATE-N-LOK connectors.

APPLICATIONS

- Primarily Appliance, Vending and HVAC applications requiring a sealed, splash-proof interconnection
- Splash-proof design allows connector system to be used in areas where high humidity, intermittent liquid splashing or foam-in applications require a sealed connector for improved electrical performance.



Issued 06/02 1654020

KEY FEATURES

- Dual row, 2 to 10 positions (even only)
- Mates with all standard Mini-Universal MATE-N-LOK connector housings
- Positive, polarized keyed and latched orientation to ease application
- Utilizes proven Mini-Universal MATE-N-LOK contact interface system (Reference: Catalog 82181)
- Uses existing Mini-Universal MATE-N-LOK application tooling (Reference: Catalog 82181)
- Product has been tested to IP Level 5/7 for .040-.083 [1.02-2.11] insulation dia. wire

ELECTRICAL

- | | | | |
|------------------------------------|---------------|--------------------------|--|
| • Voltage: | 600 VAC or DC | • Insulation Resistance: | 1000 megaohms max. between adjacent circuits |
| • Current: | 9 A maximum | | |
| • Dielectric withstanding voltage: | 1500 VAC | | |

MECHANICAL

- | | | | |
|---------------|-------------------------------|----------------------|------------------------|
| • Durability: | 20 cycles mating and unmating | • Contact retention: | 8 lb. min. per contact |
|---------------|-------------------------------|----------------------|------------------------|

MATERIALS

- | | | | |
|-------------|------------------------------|------------|-------------------------------|
| • Housing: | Nylon, UL 94V-0 rated, white | • Plating: | Pre-plated tin or gold duplex |
| • Contacts: | Brass or Phosphor Bronze | | |

FOR MORE INFORMATION

Technical Support

Phone: 1-800-522-6752

Internet: www.tycoelectronics.com

E-mail: newproducts@tycoelectronics.com

new product

Mini-Universal MATE-N-LOK Sealed Connector System

STANDARDS & SPECS

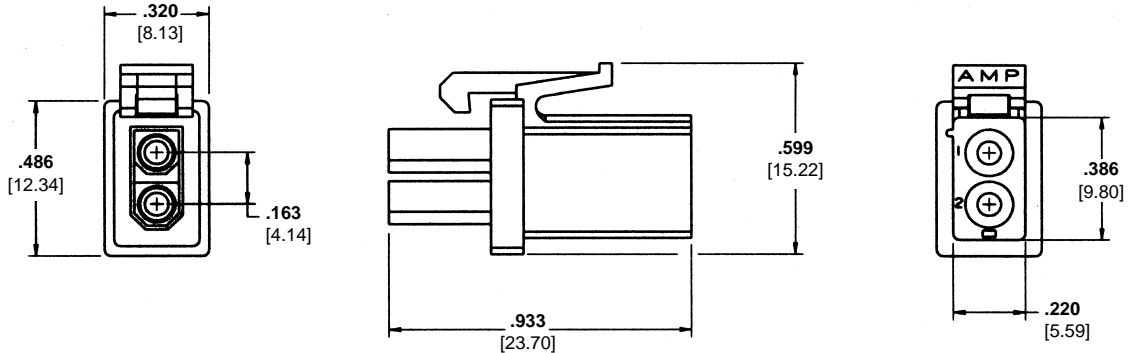
- Product Specifications:
 - 108-1542 – Mini-Universal MATE-N-LOK Connector
 - 108-1542-2 – Mini-Universal MATE-N-LOK Splash Proof Seals

- Application Specifications:
 - 114-16017 – Mini-Universal MATE-N-LOK Connector
 - 114-16017-1 – Mini-Universal MATE-N-LOK Sealed Connector

PRODUCT DIMENSIONS

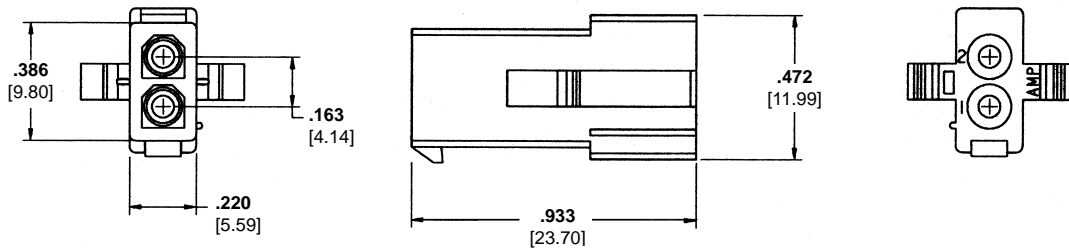
Plug

Part Number
794894-1
(2 position shown)

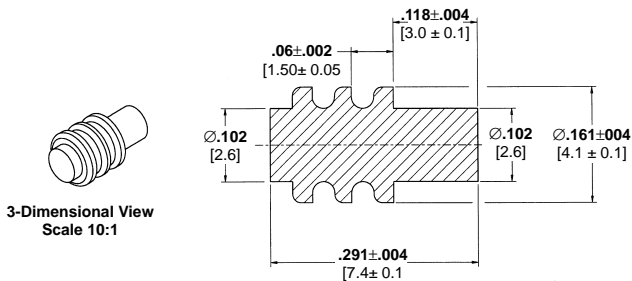


Cap

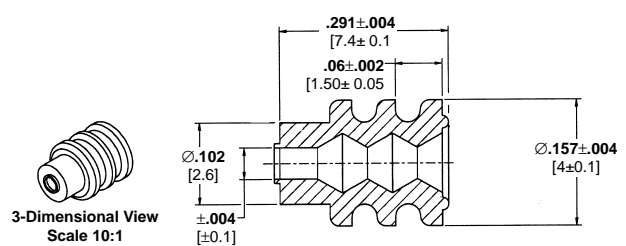
Part Number
794896-1
(2 position shown)



Single Cavity Plug Seal – Part Number 794995-1



Single Wire Seal – Part Number 794758-1



PRODUCT OFFERING

No. of Positions	Part Numbers		
	Plug* for sealing	Cap* for sealing	Interface Seals
2	794894-1	794896-1	794772-2
4	794805-1	794939-1	794772-4
6	794895-1	794940-1	794772-6
8	794821-1	794941-1	794772-8
10	794781-1	794942-1	1-794772-0

*Nylon, UL 94V-0, white

- Wire-to-wire
- Wire-to-board, right-angle and vertical

Interface Seal – Base Part Number 794772

