

Introduction

Housings

- **Material:**
aluminum die-cast alloy
zinc die-cast alloy
- **Protection Class:**
IP 44 – IP 68
- **Locking Systems:**
locking clip
side clip
central clip
central clip with safety
screw locking
- **Executions:**
hammer scales varnish or
powder coated
- **Protected against corrosion**
- **EMV resistant to
interference voltages**

Contact Inserts

- **Material:**
thermoplastic material
glass-fiber reinforced
(UL-listed) V-0
- **Rated Current:**
from 10 A up to 2,000 A
- **Rated Voltage:**
from 25 V up to 5 kV
- **Types of Wire Connections:**
screw terminal
spring clamp terminal
crimp terminal
- **Contact Material:**
copper alloy
- **Contact Surfaces:**
hard silver-plated
hard gold-plated
tin plated



Tyco Electronics with the brand HTS specialises in the development and manufacturing of heavy duty connectors and serves a wide range of industries, including industrial machinery, railway equipment and electrical power utilities.

Apart from the well-known standard connectors (6- thru 24 pins), the product range also offers product series featuring a high number of pins (up to 216) and high current connectors of up to 500 A.

The housings are made from aluminum die-cast and are classed IP code 65–68.

A large variety of customer applications (EMI-protected, corrosion-protected, etc.) completes the product range.

Product Information Center (PIC)

You can rely on the support of our PIC Team.

Apart from the PIC Team which has been specially trained to answer any technical questions you might have, our experienced staff is an additional source of information:

Phone: +49-2247-305-147

Fax: +49-2247-305-122

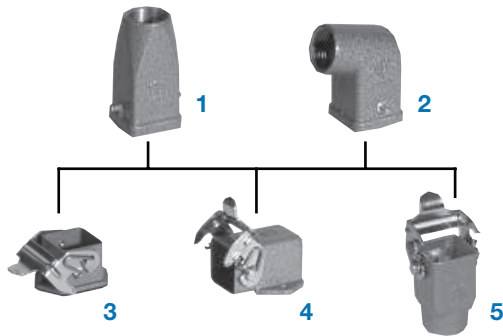
E-Mail:
germany-pic@tycoelectronics.com

**For complete product
information, please
order Catalog 889745**

Heavy-Duty Connector Housings and Contact Inserts – Size 1

Housings – Size 1
Series: HA.3 – IP 44

- Standard Design
- Locking Systems:
Side locking device
- Zinc die-cast alloy
- Powder coated



Top of Housings

- 1 Straight cable entry
- 2 Angled cable entry

Bottom of Housings

- 3 Surface mounted housing
- 4 Socket housing
- 5 Cable-to-cable housing

No.	Thread Style	Description	Width (mm)	Length (mm)	Height (mm)	Part Number	Package Quantity
1	M 16	HA.3.STO.1.M16.Z	26.5	26.5	52.0	1106405-1	10
1	M 20	HA.3.STO.1.M20.Z	26.5	26.5	52.0	1106405-3	10
1	PG 11	HA.3.STO.1.11.Z	26.5	26.5	52.0	1-1102101-7	10
2	M 16	HA.3.STW.1.M16.Z	26.5	40.0	49.0	1106406-1	10
2	M 20	HA.3.STW.1.M20.Z	26.5	40.0	49.0	1106406-3	10
2	PG 11	HA.3.STW.1.11.Z	26.5	40.0	49.0	1-1102103-7	10
3		HA.3.AG-LB	28.0	28.0	23.0	1-1102105-2	10
3		HA.3.AGD-LB	28.0	28.0	28.0	1-1102106-2	10
4	PG 11	HA.3.SG-LB.1.11.Z	40.0	40.0	25.5	1-1102109-2	10
4	M 20	HA.3.SG-LB.1.M20.G	40.0	40.0	25.5	1106404-3	10
5	PG 11	HA.3.KDO-LB.1.11.Z	24.0	24.0	46.0	1-1102112-2	10
5	M 16	HA.3.KDO-LB.1.M16.Z	24.0	24.0	46.0	1106403-1	10
5	PG 11	HA.3.KDOD-LB.1.11.Z	24.0	24.0	46.0	1-1108759-2	10

AGD = Surface mounted housing with lid.

Contact Inserts – Size 1

- Series: HA.3
HA.4
HE-Q.5
HN.D.7

- Material:
Polycarbonate

Male Insert

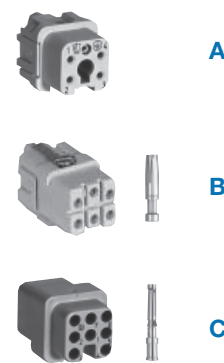


3+PE/4+PE
10 A/250 V
Screw terminal

5+PE
16 A/400 V
Crimp terminal

7+PE
10 A/250 V
Crimp terminal

Female Insert



A

B

C

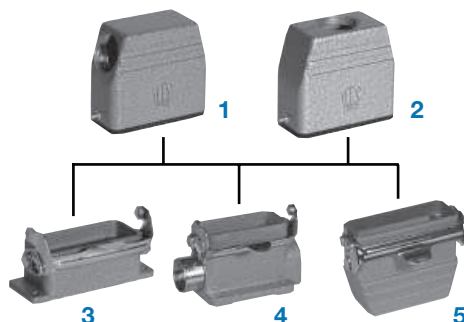
No.	No. of Pos.	Style	Description	Nominal Current	Nominal Voltage	Terminal Style	Part Number	Package Quantity
A	3	Male Insert	HA.3.Sti.S	10 A	250 V ~	Screw	1-1103400-1	10
A	3	Female Insert	HA.3.Bu.S	10 A	250 V ~	Screw	1-1103401-1	10
A	4	Male Insert	HA.4.Sti.S	10 A	250 V ~	Screw	1-1103402-1	10
A	4	Female Insert	HA.4.Bu.S	10 A	250 V ~	Screw	1-1103403-1	10
B	5	Male Insert	HE-Q5.Sti.C + contacts	16 A	400 V ~	Crimp	1102195-1	10
B	5	Female Insert	HE-Q5.Bu.C + contacts	16 A	400 V ~	Crimp	1102194-1	10
C	7	Male Insert	HN.D.7.Sti.C + contacts	10 A	250 V ~	Crimp	2-1103100-3	10
C	7	Female Insert	HN.D.7.Bu.C + contacts	10 A	250 V ~	Crimp	2-1103101-3	10

Suitable crimping contacts and crimping tools see page 16-20 and 16-21.

Heavy-Duty Connector Housings and Contact Inserts – Size 2

Housings – Size 2
Series: HA.10 – IP 65

- Standard Design
- Locking Systems:
Side locking device
- Aluminum die-cast alloy
- Powder coated



Top of Housings

- 1 Cable entry from the side
- 2 Straight cable entry

Bottom of Housings

- 3 Surface mounted housing
- 4 Socket housing
- 5 Cable-to-cable housing

No.	Thread Style	Description	Width (mm)	Length (mm)	Height (mm)	Part Number	Package Quantity
1	M 20	HA.10.STS.1.M.20.G	29.0	63.0	57.0	1106411-2	5
1	PG 16	HA.10.STS.1.16.G	29.0	63.0	57.0	1-1102117-7	5
2	M 20	HA.10.STO.1.M.20.G	29.0	63.0	57.0	1106411-1	5
2	PG 16	HA.10.STO.1.16.G	29.0	63.0	57.0	1-1102120-7	5
3		HA.10.AG-LB	30.0	81.0	28.0	1-1102121-2	5
3		HA.10.AGD-LB	30.0	81.0	28.0	1-1102122-2	5
4	2 × M 20	HA.10.SG-LB.2.M20.Z	50.0	72.5	47.0	1106410-2	5
4	2 × PG 16	HA.10.SG-LB.2.16.Z	50.0	72.5	47.0	1-1102126-2	5
5	M 20	HA.10.KDO-LB.1.M20.G	29.0	75.5	52.5	1106409-1	5
5	PG 16	HA.10.KDO-LB.1.16.G	29.0	75.5	52.5	1-1102133-2	5

AGD = Surface mounted housing with lid / SGD = Socket housing with lid.

Contact Inserts – Size 2
Series: HA.10
HN.D.15

- Material:
Polycarbonate

Male Insert



10+PE
16 A/250 V
Screw terminal
Crimp terminal
Spring clamp terminal



15+PE
10 A/250 V
Crimp terminal

Female Insert



A



B

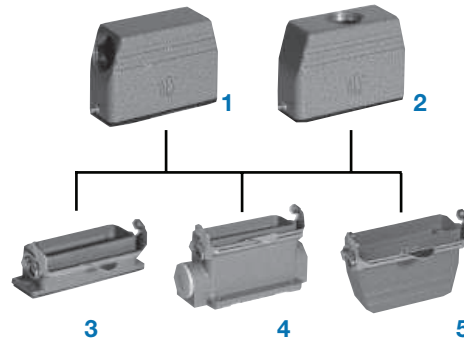
No.	No. of Pos.	Style	Description	Nominal Current	Nominal Voltage	Terminal Style	Part Number	Package Quantity
A	10	Male Insert	HA.10.Sti.S.B1-10	16 A	250 V ~	Screw	1-1103414-1	5
A	10	Female Insert	HA.10.Bu.S.B1-10	16 A	250 V ~	Screw	1-1103415-1	5
A	10	Male Insert	HA.10.Sti.C.B1-10	16 A	250 V ~	Crimp	2-1103414-3	5
A	10	Female Insert	HA.10.Bu.C.B1-10	16 A	250 V ~	Crimp	2-1103415-3	5
A	10	Male Insert	HA.10.Sti.SC.B1-10	16 A	250 V ~	Spring Clamp	7-1103414-1	5
A	10	Female Insert	HA.10.Bu.SC.B1-10	16 A	250 V ~	Spring Clamp	7-1103415-1	5
B	15	Male Insert	HN.D.15.Sti.C B1-15	10 A	250 V ~	Crimp	2-1103106-3	5
B	15	Female Insert	HN.D.15.Bu.C B1-15	10 A	250 V ~	Crimp	2-1103107-3	5

Suitable crimping contacts and crimping tools see page 16-20 and 16-21.

Heavy-Duty Connector Housings and Contact Inserts – Size 5

Housings – Size 5
Series: HA.16 – IP 65

- Standard Design
- Locking Systems:
Side locking device
- Aluminum die-cast alloy
- Powder coated



Top of Housings

- 1 Cable entry from the side
- 2 Straight cable entry

Bottom of Housings

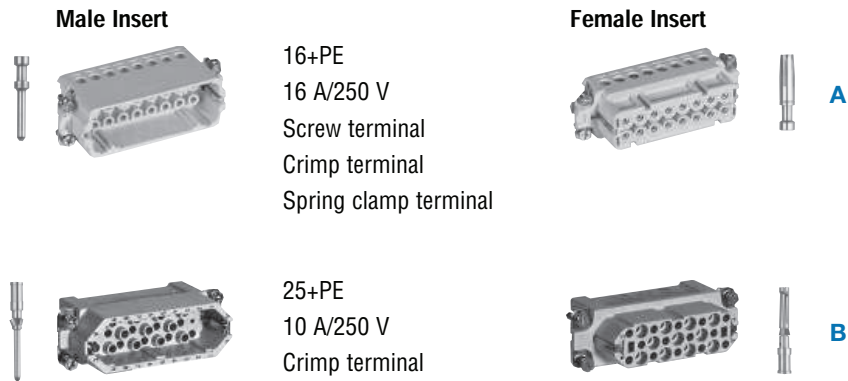
- 3 Surface mounted housing
- 4 Socket housing
- 5 Cable-to-cable housing

No.	Thread Style	Description	Width (mm)	Length (mm)	Height (mm)	Part Number	Package Quantity
1	M 20	HA.16.STS.1.M20.G	29.0	79.5	57.0	1106439-2	5
1	PG 16	HA.16.STS.1.16.G	29.0	79.5	57.0	1-1102136-7	5
2	M 20	HA.16.STO.1.M20.G	29.0	79.5	57.0	1106439-1	5
2	PG 16	HA.16.STO.1.16.G	29.0	79.5	57.0	1-1102139-7	5
3		HA.16.AG-LB	29.0	96.0	28.0	1-1102140-2	5
3		HA.16.AGD-LB	29.0	96.0	28.0	1-1102141-2	5
4	2 × M 20	HA.16.SG-LB.2.M20.Z	50.0	102.0	50.0	1106438-2	5
4	2 × PG 16	HA.16.SG-LB.2.16.Z	50.0	102.0	50.0	1-1102145-2	5
5	M 20	HA.16.KDO-LB.1.M20.G	29.0	92.0	52.0	1106437-1	5
5	PG 16	HA.16.KDO-LB.1.16.G	29.0	92.0	52.0	1-1102152-2	5

AGD = Surface mounted housing with lid / SGD = Socket housing with lid.

Contact Inserts – Size 5
Series: HA.16
HN.D.25

- Material:
Polycarbonate



No.	No. of Pos.	Style	Description	Nominal Current	Nominal Voltage	Terminal Style	Part Number	Package Quantity
A	16	Male Insert	HA.16.Sti.S.B1-16	16 A	250 V ~	Screw	1-1103416-1	5
A	16	Female Insert	HA.16.Bu.S.B1-16	16 A	250 V ~	Screw	1-1103417-1	5
A	16	Male Insert	HA.16.Sti.C.B1-16 + contacts	16 A	250 V ~	Crimp	2-1103416-3	5
A	16	Female Insert	HA.16.Bu.C.B1-16 + contacts	16 A	250 V ~	Crimp	2-1103417-3	5
A	16	Male Insert	HA.16.Sti.SC.B1-16	16 A	250 V ~	Spring Clamp	7-1103416-1	5
A	16	Female Insert	HA.16.Bu.SC.B1-16	16 A	250 V ~	Spring Clamp	7-1103417-1	5
B	25	Male Insert	HN.D.25.Sti.C B1-25 + contacts	10 A	250 V ~	Crimp	2-1103108-3	5
B	25	Female Insert	HN.D.25.Bu.C B1-25 + contacts	10 A	250 V ~	Crimp	2-1103109-3	5

Suitable crimping contacts and crimping tools see page 16-20 and 16-21.

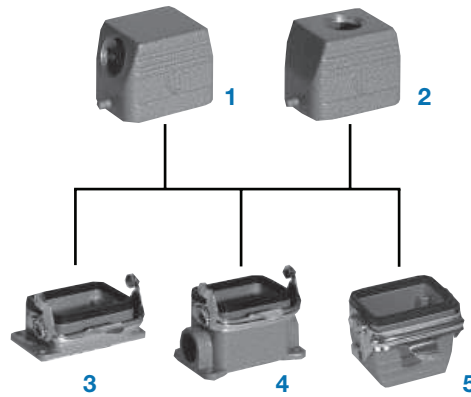
Heavy-Duty Connector Housings and Contact Inserts – Size 3

Housings – Size 3
Series: HB.6 – IP 65

- Standard Design
- Locking Systems:
Side locking device
LB-System
(side clip = 1 clip)
- Aluminum die-cast alloy
- Powder coated

Series: HD.16 – IP 65

- Enlarged wiring space for high wiring density



Top of Housings

- 1 Cable entry from the side
- 2 Straight cable entry

Bottom of Housings

- 3 Surface mounted housing
- 4 Socket housing
- 5 Cable-to-cable housing

No.	Thread Style	Description	Width (mm)	Length (mm)	Height (mm)	Part Number	Package Quantity
1	M 25	HB.6.STS.1.M25.G	43.0	60.0	48.0	1106419-2	5
1	PG 16	HB.6.STS.1.16.G	43.0	60.0	48.0	1-1102240-7	5
2	M 25	HB.6.STO.1.M25.G	43.0	60.0	48.0	1106419-1	5
2	PG 16	HB.6.STO.1.16.G	43.0	60.0	48.0	1-1102243-7	5
3		HB.6.AG-LB	43.5	80.0	28.5	1-1102244-2	5
3		HB.6.AGD-LB	43.5	80.0	28.5	1-1102246-2	5
4	2 × M 25	HB.6.SG-LB.2.M25.Z	52.0	83.0	49.5	1106418-2	5
4	2 × PG 16	HB.6.SG-LB.2.16.Z	52.0	83.0	49.5	1-1102251-2	5
4	2 × M 25	HB.6.SGD-LB.2.M25.Z	52.0	83.0	49.5	1106418-1	5
4	2 × PG 16	HB.6.SGD-LB.2.16.Z	52.0	83.0	49.5	1-1102255-2	5
5	M 25	HB.6.KDO-LB.1.M25.G	43.0	60.0	50.0	1106417-1	5
5	PG 16	HB.6.KDO-LB.1.16.G	43.0	60.0	50.0	1-1102258-2	5

High Construction with enlarged wiring space for high wiring density

1	M 32	HD.16.STS.1.M32.G	43.0	74.0	70.0	1106423-2	5
1	PG 21	HD.16.STS.1.21.G	43.0	74.0	70.0	1-1102461-7	5
2	M 32	HD.16.STO.1.M32.G	43.0	74.0	70.0	1106423-1	5
2	PG 21	HD.16.STO.1.21.G	43.0	74.0	70.0	1-1102467-7	5
4	2 × M 32	HD.16.SG-LB.2.M32.Z	57.0	82.0	73.5	1106422-2	5
4	2 × PG 21	HD.16.SG-LB.2.21.Z	57.0	82.0	73.5	1-1102474-2	5
4	2 × M 32	HD.16.SGD-LB.2.M32.Z	57.0	82.0	73.5	1106422-1	5
4	2 × PG 21	HD.16.SGD-LB.2.21.Z	57.0	82.0	73.5	1-1102482-2	5

AGD = Surface mounted housing with lid / SGD = Socket housing with lid.

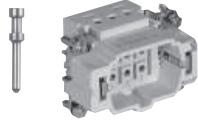
Heavy-Duty Connector Housings and Contact Inserts – Size 3 (continued)

Contact Inserts – Size 3

Series: HE.6
HN.2D.24
HEE.10

■ **Material:**
Polycarbonate

Male Insert



6+PE
10 A/400 V
Screw terminal
Crimp terminal
Spring clamp terminal

Female Insert



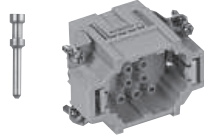
A



24+PE
10 A/250 V
Crimp terminal



B



10+PE
16 A/500 V
Crimp terminal



C

No.	No. of Pos.	Style	Description	Nominal Current	Nominal Voltage	Terminal Style	Part Number	Package Quantity
A	6	Male Insert	HE.6.Sti.S.B1-6	16 A	400 V ~	Screw	1-1103634-1	5
A	6	Female Insert	HE.6.Bu.S.B1-6	16 A	400 V ~	Screw	1-1103635-1	5
A	6	Male Insert	HE.6.Sti.C.B1-6 + contacts	16 A	400 V ~	Crimp	2-1103634-3	5
A	6	Female Insert	HE.6.Bu.C.B1-6 + contacts	16 A	400 V ~	Crimp	2-1103635-3	5
A	6	Male Insert	HE.6.Sti.SC.B1-6	16 A	400 V ~	Spring Clamp	7-1103634-1	5
A	6	Female Insert	HE.6.Bu.SC.B1-6	16 A	400 V ~	Spring Clamp	7-1103635-1	5
B	24	Male Insert	HN.2D.24.Sti.C.B1-24 + contacts	10 A	250 V ~	Crimp	2-1103200-3	5
B	24	Female Insert	HN.2D.24.Bu.C.B1-24 + contacts	10 A	250 V ~	Crimp	2-1103202-3	5
C	10	Male Insert	HEE.10.Sti.C	16 A	500 V ~	Crimp	1102918-1	5
C	10	Female Insert	HEE.10.Bu.C	16 A	500 V ~	Crimp	1102919-1	5

Suitable crimping contacts and crimping tools see page 16-20 and 16-21.

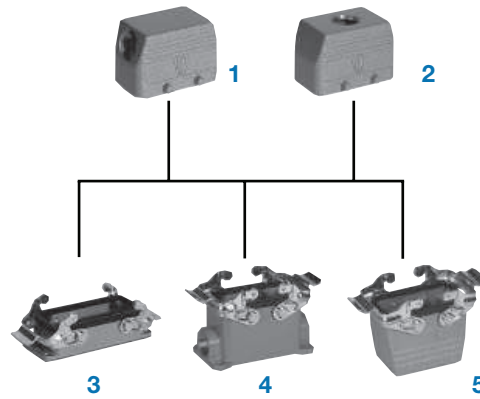
Heavy-Duty Connector Housings and Contact Inserts – Size 4

Housings – Size 4
Series: HB.10 – IP 65

- Standard Design
- Locking Systems:
Side locking device
VS-System
(locking system = 2 clips)
- Aluminum die-cast alloy
- Powder coated

Series: HD.24 – IP 65

- Enlarged wiring space for high wiring density



Top of Housings

- 1 Cable entry from the side
- 2 Straight cable entry

Bottom of Housings

- 3 Surface mounted housing
- 4 Socket housing
- 5 Cable-to-cable housing

No.	Thread Style	Description	Width (mm)	Length (mm)	Height (mm)	Part Number	Package Quantity
1	M 25	HB.10.STS.1.M25.G	43.0	73.0	50.0	1106430-4	5
1	PG 16	HB.10.STS.1.16.G	43.0	73.0	50.0	1-1102261-6	5
2	M 25	HB.10.STO.1.M25.G	43.0	73.0	50.0	1106430-1	5
2	PG 16	HB.10.STO.1.16.G	43.0	73.0	50.0	1-1102267-6	5
3		HB.10.AG-VS	57.0	93.0	28.5	1-1102271-1	5
4	2 × M 25	HB.10.SG-VS.2.M25.Z	52.0	94.0	53.5	1106429-4	5
4	2 × PG 16	HB.10.SG-VS.2.16.Z	52.0	94.0	53.5	1-1102276-1	5
5	M 25	HB.10.KDO-VS.1.M25.G	57.0	73.0	55.5	1106428-2	5
5	PG 21	HB.10.KDO-VS.1.21.G	57.0	73.0	55.5	1-1102282-1	5

High Construction with enlarged wiring space for high wiring density

1	M 32	HD.24.STS.1.M32.G	43.0	73.0	70.0	1106434-4	5
1	PG 21	HD.24.STS.1.21.G	43.0	73.0	70.0	1-1102496-6	5
2	M 32	HD.24.STO.1.M32.G	43.0	73.0	70.0	1106434-1	5
2	PG 29	HD.24.STO.1.29.G	43.0	73.0	70.0	1-1102505-6	5
4	2 × M 32	HD.24.SG-VS.2.M32.Z	56.0	94.0	74.0	1106433-4	5
4	2 × PG 21	HD.24.SG-VS.2.21.Z	56.0	94.0	74.0	1-1102509-1	5
5	M 32	HD.24.KDO-VS.1.M32.G	57.0	73.0	72.5	1106432-2	5

AGD = Surface mounted housing with lid / SGD = Socket housing with lid.

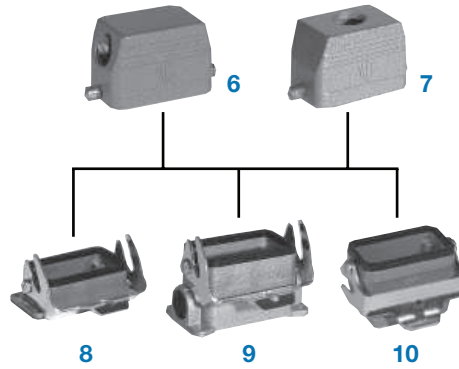
Heavy-Duty Connector Housings and Contact Inserts – Size 4 (continued)

Housings – Size 4
Series: HB.10 – IP 65

- Standard Design
- Locking Systems:
Side locking device
LB-System (side clip = 1 clip)
- Aluminum die-cast alloy
- Powder coated

Series: HD.24 – IP 65

- Enlarged wiring space for high wiring density



Top of Housings

- 6 Cable entry from the side
- 7 Straight cable entry

Bottom of Housings

- 8 Surface mounted housing
- 9 Socket housing
- 10 Cable-to-cable housing

No.	Thread Style	Description	Width (mm)	Length (mm)	Height (mm)	Part Number	Package Quantity
6	M 25	HB.10.STS-GR.1.M25.G	43.0	73.0	50.0	1106430-5	5
6	PG 16	HB.10.STS-GR.1.16.G	43.0	73.0	50.0	1-1102261-7	5
7	M 25	HB.10.STO-GR.1.M25.G	43.0	73.0	50.0	1106430-2	5
7	PG 16	HB.10.STO-GR.1.16.G	43.0	73.0	50.0	1-1102267-7	5
8		HB.10.AG-LB	43.5	93.0	28.5	1-1102271-2	5
8		HB.10.AGD-LB	43.5	93.0	28.5	1-1102283-2	5
9	2 × M 25	HB.10.SG-LB.2.M25.Z	52.0	94.0	53.5	1106429-3	5
9	2 × PG 16	HB.10.SG-LB.2.16.Z	52.0	94.0	53.5	1-1102276-2	5
9	2 × M 25	HB.10.SGD-LB.2.M25.Z	52.0	94.0	53.5	1106429-2	5
9	2 × PG 16	HB.10.SGD-LB.2.16.Z	52.0	94.0	53.5	1-1102288-2	5
10	M 25	HB.10.KDO-LB.1.M25.G	43.0	73.0	55.5	1106428-1	5
10	PG 16	HB.10.KDO-LB.1.21.G	43.0	73.0	55.5	1-1102282-2	5

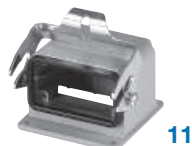
High Construction with enlarged wiring space for high wiring density

6	M 32	HD.24.STS-GR.1.M32.G	43.0	73.0	70.0	1106434-5	5
6	PG 21	HD.24.STS-GR.1.21.G	43.0	73.0	70.0	1-1102496-7	5
7	M 32	HD.24.STO-GR.1.M32.G	43.0	73.0	70.0	1106434-2	5
7	PG 29	HD.24.STO-GR.1.29.G	43.0	73.0	70.0	1-1102505-7	5
9	2 × M 32	HD.24.SG-LB.2.M32.Z	57.0	94.0	74.0	1106433-3	5
9	2 × PG 29	HD.24.SG-LB.2.29.Z	57.0	94.0	74.0	1-1102513-2	5
9	2 × M 32	HD.24.SGD-LB.2.M32.Z	57.0	94.0	74.0	1106433-2	5
9	2 × PG 29	HD.24.SGD-LB.2.29.Z	57.0	94.0	73.5	1-1102527-2	5
10	M 32	HD.24.KDO-LB.1.M32.G	43.0	73.0	72.0	1106432-1	5
10	PG 29	HD.24.KDO-LB.1.29.G	43.0	73.0	72.0	1-1102519-2	5

AGD = Surface mounted housing with lid / SGD = Socket housing with lid.

Housings – Size 4
Series: HM.10 – IP 65
Motor Connector

- Locking Systems:
Side locking device
LB-System
(side clip = 1 clip)
- Aluminum die-cast alloy
- Powder coated



Bottom of Housings

- 11 Surface mounted housing

No.	Description	Width (mm)	Length (mm)	Height (mm)	Part Number	Package Quantity
11	HM.10-82/82	68.0	82.0	55.0	8-1108772-2	5
11	HM.10-85/85	73.0	85.0	55.0	8-1108772-5	5
11	HM.10-90/90	78.0	90.0	55.0	8-1108772-0	5
11	HM.10-94/94	80.0	94.0	55.0	8-1108772-4	5
11	HM.10-98/98	–	98.0	55.0	8-1108772-8	5

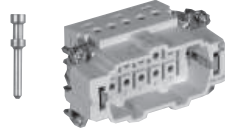
Heavy-Duty Connector Housings and Contact Inserts – Size 4 (continued)

Contact Inserts – Size 4

Series: HE.10
HN.2D.42
HEE.18

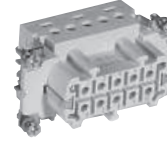
■ **Material:**
Polycarbonate

Male Insert



10+PE
16 A/400 V
Screw terminal
Crimp terminal
Spring clamp terminal

Female Insert



42+PE
10 A/250 V
Crimp terminal



18+PE
16 A/500 V
Crimp terminal



No.	No. of Pos.	Style	Description	Nominal Current	Nominal Voltage	Terminal Style	Part Number	Package Quantity
A	10	Male Insert	HE.10.Sti.S.B1-10	16 A	400 V ~	Screw	1-1103636-1	5
A	10	Female Insert	HE.10.Bu.S.B1-10	16 A	400 V ~	Screw	1-1103637-1	5
A	10	Male Insert	HE.10.Sti.C.B1-10 + contacts	16 A	400 V ~	Crimp	2-1103636-3	5
A	10	Female Insert	HE.10.Bu.C.B1-10 + contacts	16 A	400 V ~	Crimp	2-1103637-3	5
A	10	Male Insert	HE.10.Sti.SC.B1-10	16 A	400 V ~	Spring Clamp	7-1103636-1	5
A	10	Female Insert	HE.10.Bu.SC.B1-10	16 A	400 V ~	Spring Clamp	7-1103637-1	5
B	42	Male Insert	HN.2D.42.Sti.C.B1-42 + contacts	10 A	250 V ~	Crimp	2-1103204-3	5
B	42	Female Insert	HN.2D.42.Bu.C.B1-42 + contacts	10 A	250 V ~	Crimp	2-1103206-3	5
C	18	Male Insert	HEE.18.Sti.C	16 A	500 V ~	Crimp	1102897-1	5
C	18	Female Insert	HEE.18.Bu.C	16 A	500 V ~	Crimp	1102898-1	5

Suitable crimping contacts and crimping tools see page 16-20 and 16-21.

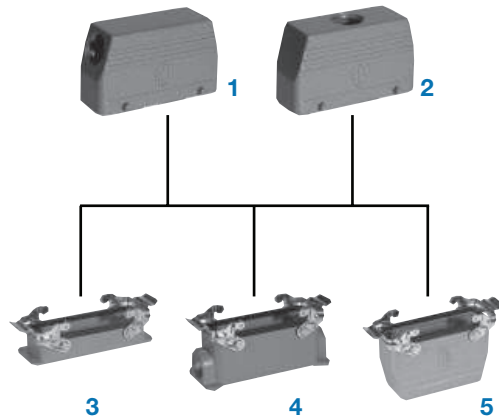
Heavy-Duty Connector Housings and Contact Inserts – Size 6

Housings – Size 6
Series: HB.16 – IP 65

- Standard Design
- Locking Systems:
Side locking device
VS-System
(locking system = 2 clips)
- Aluminum die-cast alloy
- Powder coated

Series: HD.40 – IP 65

- Enlarged wiring space for high wiring density



Top of Housings

- 1 Cable entry from the side
- 2 Straight cable entry

Bottom of Housings

- 3 Surface mounted housing
- 4 Socket housing
- 5 Cable-to-cable housing

No.	Thread Style	Description	Width (mm)	Length (mm)	Height (mm)	Part Number	Package Quantity
1	M 32	HB.16.STS.1.M32.G	43.0	93.5	60.0	1106449-4	5
1	PG 21	HB.16.STS.1.21.G	43.0	93.5	60.0	1-1102292-6	5
2	M 32	HB.16.STO.1.M32.G	43.0	93.5	60.0	1106449-1	5
2	PG 21	HB.16.STO.1.21.G	43.0	93.5	60.0	1-1102295-6	5
3		HB.16.AG-VS	43.5	113.0	28.5	1-1102296-1	5
4	2 × M 25	HB.16.SG-VS.2.M25.Z	57.0	117.0	55.5	1106448-4	5
4	2 × PG 21	HB.16.SG-VS.2.21.Z	57.0	117.0	55.5	1-1102301-1	5
5	M 32	HB.16.KDO-VS.1.M32.G	57.0	93.5	65.5	1106447-2	5
5	PG 21	HB.16.KDO-VS.1.21.G	57.0	93.5	65.5	1-1102304-1	5

High Construction with enlarged wiring space for high wiring density

1	M 32	HD.40.STS.1.M32.G	43.0	93.5	76.0	1106452-4	5
1	M 40	HD.40.STS.1.M40.G	43.0	93.5	76.0	1-1106452-7	5
1	PG 21	HD.40.STS.1.21.G	43.0	93.5	76.0	1-1102564-6	5
1	PG 29	HD.40.STS.1.29.G	43.0	93.5	76.0	1-1102567-6	5
2	M 32	HD.40.STO.1.M32.G	43.0	93.5	76.0	1106452-1	5
2	M 40	HD.40.STO.1.M40.G	43.0	93.5	76.0	1102920-1	5
2	PG 21	HD.40.STO.1.21.G	43.0	93.5	76.0	1-1102570-6	5
2	PG 29	HD.40.STO.1.29.G	43.0	93.5	76.0	1-1102573-6	5
4	2 × M 32	HD.40.SG-VS.2.M32.Z	57.0	117.0	76.5	1106451-4	5
4	2 × PG 29	HD.40.SG-VS.2.29.Z	57.0	117.0	76.5	1-1102581-1	5
5	M 32	HD.40.KDO-VS.1.M32.G	57.0	93.5	79.5	1106450-2	5
5	PG 29	HD.40.KDO-VS.1.29.G	57.0	93.5	79.5	1-1102587-1	5

AGD = Surface mounted housing with lid / SGD = Socket housing with lid.

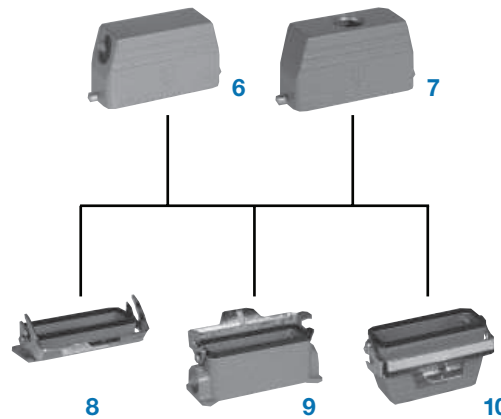
Heavy-Duty Connector Housings and Contact Inserts – Size 6 (continued)

Housings – Size 6
Series: HB.16 – IP 65

- Standard Design
- Locking Systems:
Side locking device
LB-System
(side clip = 1 clip)
- Aluminum die-cast alloy
- Powder coated

Series: HD.40 – IP 65

- Enlarged wiring space for high wiring density



Top of Housings

- 6 Cable entry from the side
- 7 Straight cable entry

Bottom of Housings

- 8 Surface mounted housing
- 9 Socket housing
- 10 Cable-to-cable housing

No.	Thread Style	Description	Width (mm)	Length (mm)	Height (mm)	Part Number	Package Quantity
6	M 32	HB.16.STS-GR.1.M32.G	43.0	93.5	60.0	1106449-5	5
6	PG 21	HB.16.STS-GR.1.21.G	43.0	93.5	60.0	1-1102292-7	5
7	M 32	HB.16.STO-GR.1.M32.G	43.0	93.5	60.0	1106449-2	5
7	PG 21	HB.16.STO-GR.1.21.G	43.0	93.5	60.0	1-1102295-7	5
8		HB.16.AG-LB	43.5	113.0	28.5	1-1102296-2	5
8		HB.16.AGD-LB	43.5	113.0	28.5	1-1102305-2	5
9	2 × M 25	HB.16.SG-LB.2.M25.Z	57.0	117.0	55.5	1106448-3	5
9	2 × PG 21	HB.16.SG-LB.2.21.Z	57.0	117.0	55.5	1-1102301-2	5
9	2 × M 25	HB.16.SGD-LB.2.M25.Z	57.0	117.0	55.5	1106448-2	5
9	2 × PG 21	HB.16.SGD-LB.2.21.Z	57.0	117.0	55.5	1-1102310-2	5
10	M 32	HB.16.KDO-LB.1.M32.G	43.0	73.0	55.5	1106447-1	5
10	PG 21	HB.16.KDO-LB.1.21.G	43.0	73.0	55.5	1-1102304-2	5

High Construction with enlarged wiring space for high wiring density

6	M 32	HD.40.STS-GR.1.M32.G	43.0	93.5	76.0	1106452-5	5
6	PG 29	HD.40.STS-GR.1.29.G	43.0	93.5	76.0	1-1102567-7	5
7	M 32	HD.40.STO-GR.1.M32.G	43.0	93.5	76.0	1106452-2	5
7	PG 29	HD.40.STO-GR.1.29.G	43.0	93.5	76.0	1-1102573-7	5
9	2 × M 32	HD.40.SG-LB.2.M32.Z	57.0	117.0	76.5	1106451-3	5
9	2 × PG 29	HD.40.SG-LB.2.29.Z	57.0	117.0	76.5	1-1102581-2	5
9	2 × M 32	HD.40.SGD-LB.2.M32.Z	57.0	117.0	76.5	1106451-2	5
9	2 × PG 29	HD.40.SGD-LB.2.29.Z	57.0	117.0	76.5	1-1102595-2	5
10	M 32	HD.40.KDO-LB.1.M32.G	43.0	93.5	79.5	1106450-1	5
10	PG 29	HD.40.KDO-LB.1.29.G	43.0	93.5	79.5	1-1102587-2	5

AGD = Surface mounted housing with lid / SGD = Socket housing with lid.

Heavy-Duty Connector Housings and Contact Inserts – Size 6 (continued)

Contact Inserts – Size 6

Series: HE.16

HN.D.40

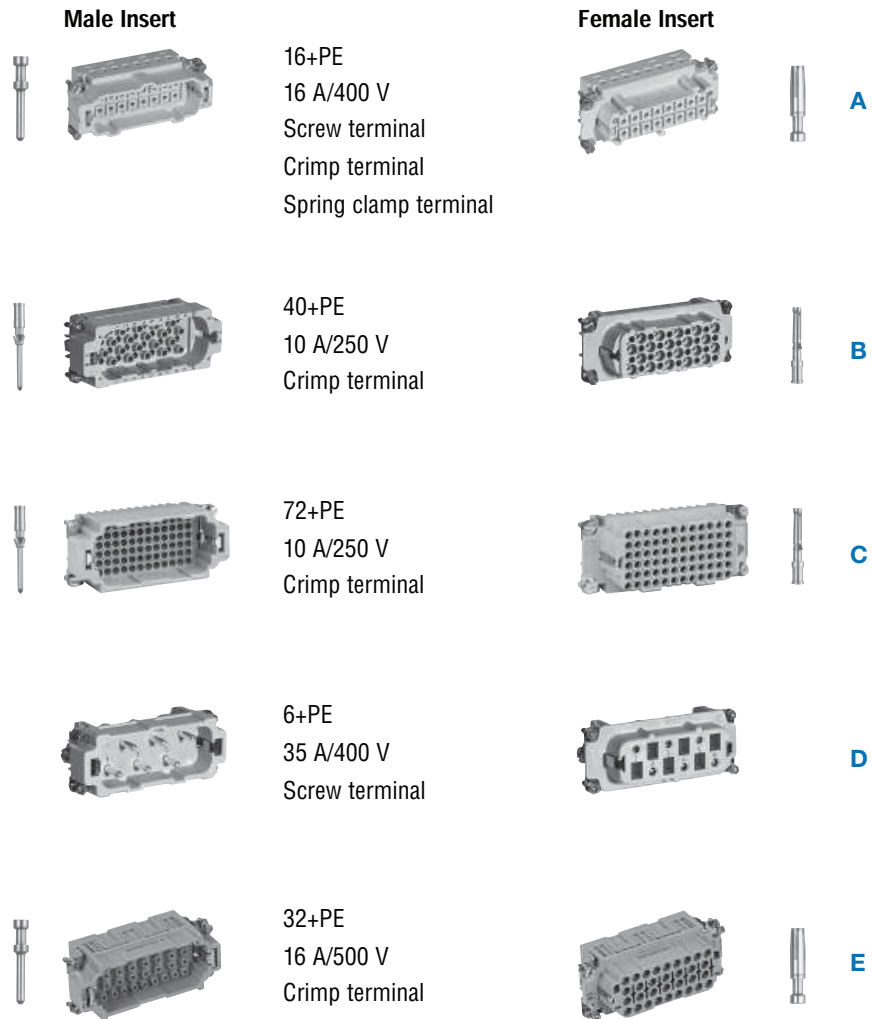
HN.2D.72

HSB.6/35

HEE.32

■ **Material:**

Polycarbonate



No.	No. of Pos.	Style	Description	Nominal Current	Nominal Voltage	Terminal Style	Part Number	Package Quantity
A	16	Male Insert	HE.16.Sti.S.B1-16	16 A	400 V ~	Screw	1-1103638-1	5
A	16	Female Insert	HE.16.Bu.S.B1-16	16 A	400 V ~	Screw	1-1103639-1	5
A	16	Male Insert	HE.16.Sti.C.B1-16 + contacts	16 A	400 V ~	Crimp	2-1103638-3	5
A	16	Female Insert	HE.16.Bu.C.B1-16 + contacts	16 A	400 V ~	Crimp	2-1103639-3	5
A	16	Male Insert	HE.16.Sti.SC.B1-16	16 A	400 V ~	Spring Clamp	7-1103638-1	5
A	16	Female Insert	HE.16.Bu.SC.B1-16	16 A	400 V ~	Spring Clamp	7-1103639-1	5
B	40	Male Insert	HN.D.40.Sti.C + contacts	10 A	250 V ~	Crimp	2-1103110-3	5
B	40	Female Insert	HN.D.40.Bu.C + contacts	10 A	250 V ~	Crimp	2-1103111-3	5
C	72	Male Insert	HN.2D.72.Sti.C.B1-72 + contacts	10 A	250 V ~	Crimp	2-1103208-3	5
C	72	Female Insert	HN.2D.72.Bu.C.B1-72 + contacts	10 A	250 V ~	Crimp	2-1103212-3	5
D	6	Male Insert	HSB.6/35.Sti.S.B1-6	35 A	400 V ~	Screw	1-1104204-1	5
D	6	Female Insert	HSB.6/35.Bu.S.B1-6	35 A	400 V ~	Screw	1-1104205-1	5
E	32	Male Insert	HEE.32.Sti.C	16 A	500 V ~	Crimp	1102895-1	5
E	32	Female Insert	HEE.32.Bu.C	16 A	500 V ~	Crimp	1102896-1	5

Suitable crimping contacts and crimping tools see page 16-20 and 16-21.

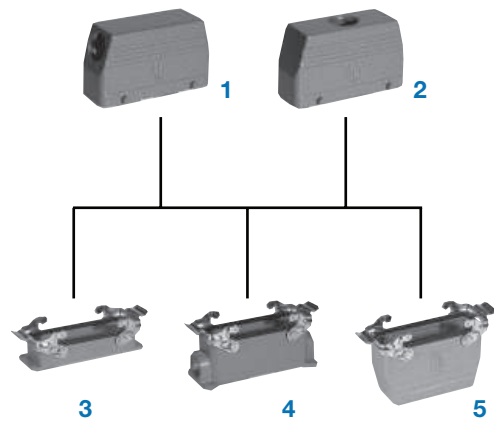
Heavy-Duty Connector Housings and Contact Inserts – Size 8

Housings – Size 8
Series: HB.24 – IP 65

- Standard Design
- Locking Systems:
Side locking device
VS-System
(locking system = 2 clips)
- Aluminum die-cast alloy
- Powder coated

Series: HD.64 – IP 65

- Enlarged wiring space for high wiring density



Top of Housings

- 1 Cable entry from the side
- 2 Straight cable entry

Bottom of Housings

- 3 Surface mounted housing
- 4 Socket housing
- 5 Cable-to-cable housing

No.	Thread Style	Description	Width (mm)	Length (mm)	Height (mm)	Part Number	Package Quantity
1	M 32	HB.24.STS.1.M32.G	43.0	120.0	70.0	1106465-4	5
1	PG 29	HB.24.STS.1.29.G	43.0	120.0	70.0	1-1102319-6	5
2	M 32	HB.24.STO.1.M32.G	43.0	120.0	70.0	1106465-1	5
2	PG 29	HB.24.STO.1.29.G	43.0	120.0	70.0	1-1102328-6	5
3		HB.24.AG-VS	57.0	140.0	28.5	1-1102291-1	5
4	2 × M 25	HB.24.SG-VS.2.M25.Z	57.0	144.0	55.5	1106464-4	5
4	2 × PG 21	HB.24.SG-VS.2.21.Z	57.0	144.0	55.5	1-1102333-1	5
5	M 32	HB.24.KDO-VS.1.M32.G	57.0	120.0	57.0	1106463-2	5
5	PG 29	HB.24.KDO-VS.1.29.G	57.0	120.0	57.0	1-1102339-1	5

High Construction with enlarged wiring space for high wiring density

1	M 32	HD.64.STS.1.M32.G	43.0	120.0	78.0	1106470-4	5
1	M 40	HD.64.STS.1.M40.G	43.0	120.0	78.0	1-1106470-9	5
1	PG 21	HD.64.STS.1.21.G	43.0	120.0	78.0	1-1103336-6	5
1	PG 29	HD.64.STS.1.29.G	43.0	120.0	78.0	1-1103338-6	5
2	M 32	HD.64.STO.1.M32.G	43.0	120.0	78.0	1106470-1	5
2	M 40	HD.64.STO.1.M40.G	43.0	120.0	78.0	3-1106470-0	5
2	PG 21	HD.64.STO.1.21.G	43.0	120.0	78.0	1-1103341-6	5
2	PG 29	HD.64.STO.1.29.G	43.0	120.0	78.0	1-1103344-6	5
4	2 × M 32	HD.64.SG-VS.2.M32.Z	57.0	132.0	78.5	1106469-4	5
4	2 × PG 29	HD.64.SG-VS.2.29.Z	57.0	132.0	78.5	1-1103352-1	5
5	M 32	HD.64.KDO-VS.1.M32.G	57.0	120.0	81.5	1106468-2	5
5	PG 29	HD.64.KDO-VS.1.29.G	57.0	120.0	81.5	1-1103358-1	5

AGD = Surface mounted housing with lid / SGD = Socket housing with lid.

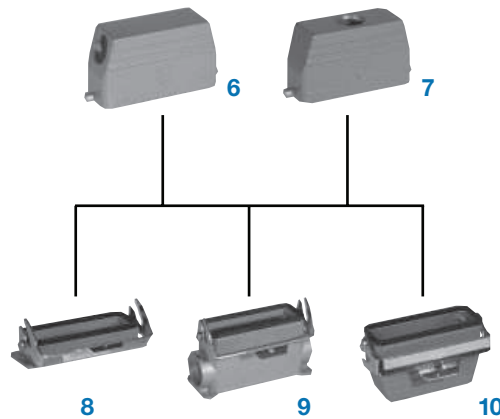
Heavy-Duty Connector Housings and Contact Inserts – Size 8 (continued)

Housings – Size 8
Series: HB.24 – IP 65

- Standard Design
- Locking Systems:
Side locking device
LB-System
(side clip = 1 clip)
- Aluminum die-cast alloy
- Powder coated

Series: HD.64 – IP 65

- Enlarged wiring space for high wiring density



Top of Housings

- 6 Cable entry from the side
- 7 Straight cable entry

Bottom of Housings

- 8 Surface mounted housing
- 9 Socket housing
- 10 Cable-to-cable housing

No.	Thread Style	Description	Width (mm)	Length (mm)	Height (mm)	Part Number	Package Quantity
6	M 32	HB.24.STS-GR.1.M32.G	43.0	120.0	70.0	1106465-5	5
6	PG 29	HB.24.STS-GR.1.29.G	43.0	120.0	70.0	1-1102319-7	5
7	M 32	HB.24.STO-GR.1.M32.G	43.0	120.0	70.0	1106465-2	5
7	PG 29	HB.24.STO-GR.1.29.G	43.0	120.0	70.0	1-1102328-7	5
8		HB.24.AG-LB	43.5	140.0	28.5	1-1102291-2	5
8		HB.24.AGD-LB	43.5	140.0	28.5	1-1102340-2	5
9	2 × M 25	HB.24.SG-LB.2.M25.Z	57.0	144.0	55.5	1106464-3	5
9	2 × PG 21	HB.24.SG-LB.2.21.Z	57.0	144.0	55.5	1-1102333-2	5
9	2 × M 25	HB.24.SGD-LB.2.M25.Z	57.0	144.0	55.5	1106464-2	5
9	2 × PG 21	HB.24.SGD-LB.2.21.Z	57.0	144.0	55.5	1-1102345-2	5
10	M 32	HB.24.KDO-LB.1.M32.G	43.0	120.0	55.5	1106463-1	5
10	PG 29	HB.24.KDO-LB.1.29.G	43.0	120.0	55.5	1-1102339-2	5

High Construction with enlarged wiring space for high wiring density

6	M 32	HD.64.STS-GR.1.M32.G	43.0	120.0	78.0	1106470-5	5
6	PG 29	HD.64.STS-GR.1.29.G	43.0	120.0	78.0	1-1103338-7	5
7	M 32	HD.64.STO-GR.1.M32.G	43.0	120.0	78.0	1106470-2	5
7	PG 29	HD.64.STO-GR.1.29.G	43.0	120.0	78.0	1-1103344-7	5
9	2 × M 32	HD.64.SG-LB.2.M32.Z	57.0	144.0	78.5	1106469-3	5
9	2 × PG 29	HD.64.SG-LB.2.29.Z	57.0	144.0	78.5	1-1103352-2	5
9	2 × M 32	HD.64.SGD-LB.2.M32.Z	57.0	144.0	78.5	1106469-2	5
9	2 × PG 29	HD.64.SGD-LB.2.29.Z	57.0	144.0	78.5	1-1103366-2	5
10	M 32	HD.64.KDO-LB.1.M32.G	42.75	120.0	81.5	1106468-1	5
10	PG 29	HD.64.KDO-LB.1.29.G	42.75	120.0	81.5	1-1103358-2	5

AGD = Surface mounted housing with lid / SGD = Socket housing with lid.

Heavy-Duty Connector Housings and Contact Inserts – Size 8 (continued)

Contact Inserts – Size 8

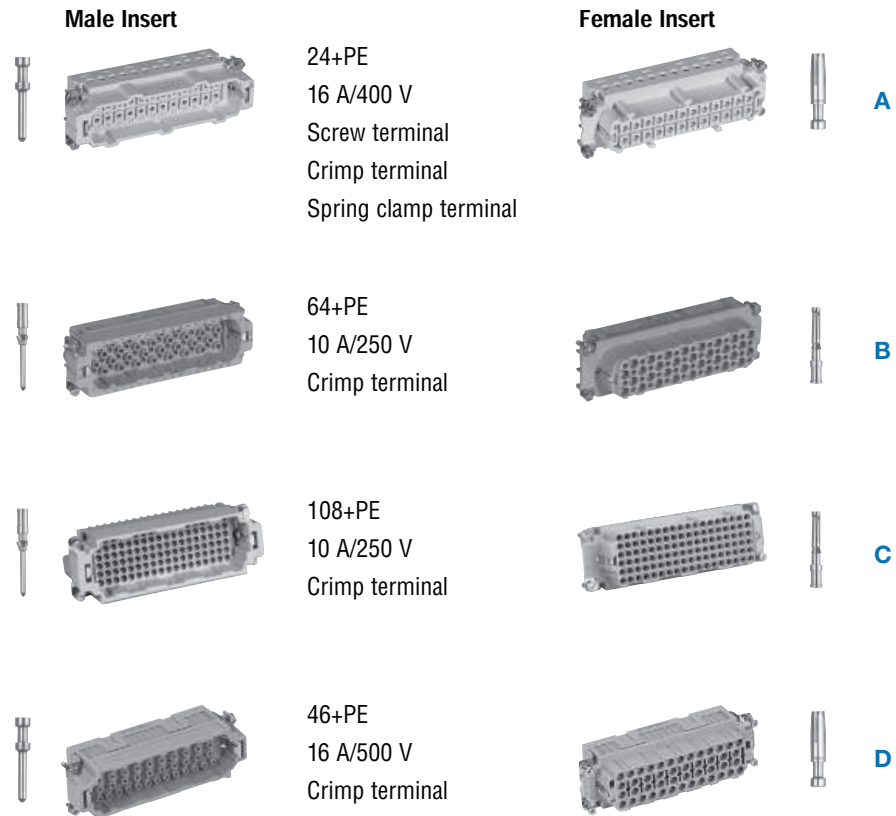
Series: HE.24

HN.D.64

HN.2D.108

HEE.46

■ **Material:**
Polycarbonate



No.	No. of Pos.	Style	Description	Nominal Current	Nominal Voltage	Terminal Style	Part Number	Package Quantity
A	24	Male Insert	HE.24.Sti.S.B1-24	16 A	400 V ~	Screw	1-1103640-1	5
A	24	Female Insert	HE.24.Bu.S.B1-24	16 A	400 V ~	Screw	1-1103641-1	5
A	24	Male Insert	HE.24.Sti.C.B1-24 + contacts	16 A	400 V ~	Crimp	2-1103640-3	5
A	24	Female Insert	HE.24.Bu.C.B1-24 + contacts	16 A	400 V ~	Crimp	2-1103641-3	5
A	24	Male Insert	HE.24.Sti.SC.B1-24	16 A	400 V ~	Spring Clamp	7-1103640-1	5
A	24	Female Insert	HE.24.Bu.SC.B1-24	16 A	400 V ~	Spring Clamp	7-1103641-1	5
B	64	Male Insert	HN.D.64.Sti.C + contacts	10 A	250 V ~	Crimp	2-1103112-3	5
B	64	Female Insert	HN.D.64.Bu.C + contacts	10 A	250 V ~	Crimp	2-1103113-3	5
C	108	Male Insert	HN.2D.108.Sti.C.B1-108 + contacts	10 A	250 V ~	Crimp	2-1103216-3	5
C	108	Female Insert	HN.2D.108.Bu.C.B1-108 + contacts	10 A	250 V ~	Crimp	2-1103220-3	5
D	46	Male Insert	HEE.46.Sti.C	16 A	500 V ~	Crimp	1102886-1	5
D	46	Female Insert	HEE.46.Bu.C	16 A	500 V ~	Crimp	1102887-1	5

Suitable crimping contacts and crimping tools see page 16-20 and 16-21.

Heavy-Duty Connector Accessories

**Adapter Plates
for Sub-D Inserts**
Size 2, 3, 4, 5, 6



Size	Housing	Style	Part Number Top Part	Part Number Bottom Part	Package Quantity
2	HA 10	1 × 9	1107197-1	1107196-1	5
2	HA 10	1 × 15	1107197-2	1107196-2	5
2	HA 10	1 × 25	1107197-3	1107196-3	5
5	HA 16	1 × 37	1107203-1	1107202-1	5
5	HA 16	1 × 50	1107203-2	1107202-2	5
3	HB 06	2 × 9	1107199-1	1107198-1	5
3	HB 06	2 × 15	1107199-2	1107198-2	5
4	HB 10	1 × 15 + 25	1107201-2	1107200-2	5
4	HB 10	2 × 25	1107201-1	1107200-1	5
6	HB 16	1 × 25 + 37	1107205-2	1107204-2	5
6	HB 16	2 × 37	1107205-3	1107204-3	5
6	HB 16	2 × 50	1107205-4	1107204-4	5
6	HB 16	1 × 9 + 15 + 25	1107205-1	1107204-1	5

Screen Termination



Application only in
surface mounted housings or in
high construction housings

Size	Description	for Contact Insert	Part Number	Package Quantity
3	SB.ST.BGR.3	HE.6 / HN.2D.24	1-1106305-9	5
4	SB.ST.BGR.4	HE.10 / HN.2D.42	1-1106306-9	5
6	SB.ST.BGR.6	HE.16 / HN.D.40 / HN.2D.72 / HSB.6/35	1-1106307-9	5
8	SB.ST.BGR.8	HE.24 / HN.D.64 / HN.2D.108	1-1106308-9	5

Grips



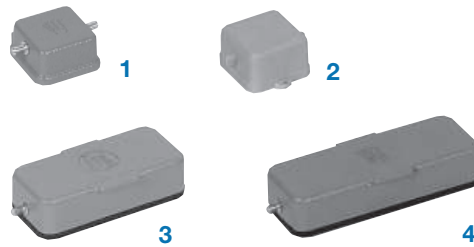
Assembly without housing

Size	Description	for Contact Insert	Part Number	Package Quantity
6	GB.1-BG.6	HE.16 / HN.D.40 / HN.2D.72 / HSB.6/35	1-1106300-9	5
8	GB.1-BG.8	HE.24 / HN.D.64 / HN.2D.108	1-1106301-9	5

Heavy-Duty Connector Protective Cap

Protective Covers for Housings
Sizes 1, 2, 5

- Reinforced plastic shell (UV-resistant)
- Metal version
- Locking System: Side locking device LB-System (side clip = 1 clip)



- 1 Metal version
- 2 Plastic version with attachment string
- 3 Metal version
- 4 Metal version

No.	Size	Description	Width (mm)	Length (mm)	Height (mm)	Part Number	Package Quantity
1	1	HA.3.SKB	26.0	26.0	14.0	2-1106205-7	5
2	1	HD.7.SKB	26.0	26.0	14.0	1108741-3	5
3	2	HA.10.SKB	29.0	63.0	17.5	2-1106206-7	5
4	5	HA.16.SKB	29.0	79.5	17.5	2-1106208-7	5

Protective Covers for Housings
Sizes 3, 4, 6, 8

- Plastic shell
- Locking Systems: Side locking device LB-System (side clip = 1 clip) VS-System (locking system = 2 clips)



- 5 with attachment string
- 6 with attachment string
- 7 with attachment string
- 8 with attachment string

No.	Size	Description	Width (mm)	Length (mm)	Height (mm)	Part Number	Package Quantity
5	3	HB.6.SKP	45.0	74.0	21.0	5-1106207-7	5
6	4	HB.10.SKP	45.0	76.0	21.0	5-1106213-6	5
7	6	HB.16.SKP-VS	57.0	96.0	22.0	2-1106214-0	5
7	6	HB.16.SKP-LB	57.0	96.0	22.0	3-1106214-0	5
8	8	HB.24.SKP-VS	57.0	122.5	22.0	2-1106216-0	5
8	8	HB.24.SKP-LB	57.0	122.5	22.0	3-1106216-0	5

Protective Covers for Housings
Sizes 6, 8

- Plastic shell
- Locking System: Side locking device VS-System (locking system = 2 clips)

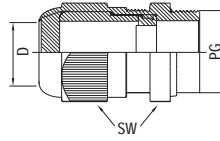


No.	Size	Description	Width (mm)	Length (mm)	Height (mm)	Part Number	Package Quantity
9	6	HB.16.SKP-VS+D	57.0	96.0	22.0	2-1106214-1	5
10	8	HB.24.SKP-VS+D	57.0	122.5	22.0	2-1106216-1	5

Heavy-Duty Connector Plastic Cable Glands

PG Cable Gland

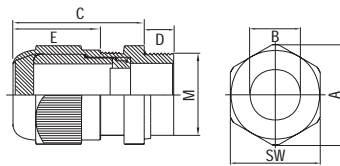
Thread Style:
PG
Material:
Plastic
Protection:
IP 68



Description	Size PG	D min.	D max.	SW	Part Number	Package Quantity
HUT.11.P	11	5.0	10.0	22	1-1106005-7	10
HUT.13.P	13.5	6.0	12.0	24	2-1106005-7	10
HUT.16.P	16	10.0	14.0	27	3-1106005-7	10
HUT.21.P	21	13.0	18.0	33	4-1106005-7	10
HUT.29.P	29	18.0	25.0	42	5-1106005-7	5
HUT.36.P	36	22.0	32.0	53	6-1106005-7	5
HUT.42.P	42	32.0	38.0	60	7-1106005-7	5

Metric Cable Gland

Thread Style:
Metric
Material:
Plastic
Protection:
IP 68

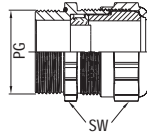


Description	Size M	A	B	C	D	E	SW	Part Number	Package Quantity
HUT.M16.P	16	22.0	10.0	27.5	5.0	14.0	20	1-1102771-6	10
HUT.M20.P	20	26.5	13.0	28.0	6.0	16.0	24	2-1102771-0	10
HUT.M25.P	25	32.0	17.0	35.0	7.0	16.5	28	2-1102771-5	10
HUT.M32.P	32	40.0	21.0	40.0	8.0	18.3	36	3-1102771-2	10
HUT.M40.P	40	50.5	28.0	41.0	8.0	20.0	46	4-1102771-0	5
HUT.M50.P	50	60.0	35.0	49.5	9.0	23.0	55	5-1102771-0	5

Heavy-Duty Connector Metal Cable Glands and Code Pin

PG Cable Gland

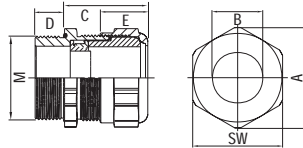
Thread Style:
PG
Material:
Metal
Protection:
IP 68



Description	Size PG	D min.	D max.	SW	Part Number	Package Quantity
HUT.11.MS	11	5.0	10.0	20	1-1106006-9	10
HUT.13.MS	13.5	6.0	12.0	22	2-1106006-9	10
HUT.16.MS	16	10.0	14.0	24	3-1106006-9	10
HUT.21.MS	21	13.0	18.0	30	4-1106006-9	10
HUT.29.MS	29	18.0	25.0	40	5-1106006-9	5
HUT.36.MS	36	22.0	32.0	50	6-1106006-9	5
HUT.42.MS	42	32.0	38.0	57	7-1106006-9	5

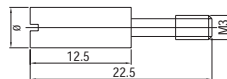
Metric Cable Gland

Thread Style:
Metric
Material:
Metal
Protection:
IP 68

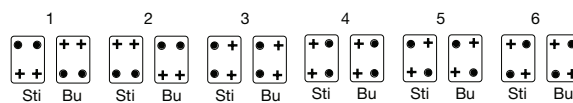


Description	Size M	A	B	C	D	E	SW	Part Number	Package Quantity
HUT.M16.MS	16	19.0	9.1	25.0	5.0	14.0	17	1-1102770-6	10
HUT.M20.MS	20	24.0	13.3	27.0	6.0	16.0	22	2-1102770-0	10
HUT.M25.MS	25	30.0	17.3	27.0	7.0	16.5	27	2-1102770-5	10
HUT.M32.MS	32	36.0	21.3	30.0	8.0	18.3	34	3-1102770-2	10
HUT.M40.MS	40	46.0	28.3	34.0	8.0	20.0	43	4-1102770-0	5
HUT.M50.MS	50	60.0	35.3	40.0	9.0	23.0	55	5-1102770-0	5

Code Pin



Description	Part Number	Package Quantity
SPB-M3	1-1106100-1	100



Coding with code pins for housings with 1 contact insert.
Guide pins and bushes available on request.

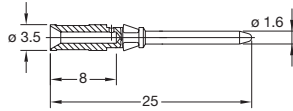
Heavy-Duty Connector Crimp Contacts and Crimping Tools

Crimp Contacts
Series: **HN.D**

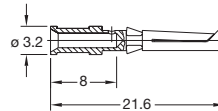
■ **Contact Inserts:**
HN.D + HN.2D



Pin Contact



Socket Contact



Pin/ Socket	Plating/ Finish	Wire Cross Section (mm ²)	Part Number	Package Quantity
Pin	Silver Plated	0.14–0.37	1-1105050-1	100
Pin	Silver Plated	0.50	2-1105050-1	100
Pin	Silver Plated	0.75–1.00	3-1105050-1	100
Pin	Silver Plated	1.50	4-1105050-1	100
Pin	Silver Plated	2.50	5-1105050-1	100
Socket	Silver Plated	0.14–0.37	1-1105051-1	100
Socket	Silver Plated	0.50	2-1105051-1	100
Socket	Silver Plated	0.75–1.00	3-1105051-1	100
Socket	Silver Plated	1.50	4-1105051-1	100
Socket	Silver Plated	2.50	5-1105051-1	100
Pin	Gold Plated	0.14–0.37	1-1105050-2	100
Pin	Gold Plated	0.50	2-1105050-2	100
Pin	Gold Plated	0.75–1.00	3-1105050-2	100
Pin	Gold Plated	1.50	4-1105050-2	100
Pin	Gold Plated	2.50	5-1105050-2	100
Socket	Gold Plated	0.14–0.37	1-1105051-2	100
Socket	Gold Plated	0.50	2-1105051-2	100
Socket	Gold Plated	0.75–1.00	3-1105051-2	100
Socket	Gold Plated	1.50	4-1105051-2	100
Socket	Gold Plated	2.50	5-1105051-2	100

Hand Tools



Crimping Tool

Description	Part Number	Package Quantity
RSZ.HE-HN.D-HVT	1-1105851-8	1



Extraction Tool (for HN.D)

Description	Part Number	Package Quantity
AWZG-HN.D-RSZ	1102855-2	1



Insertion Tool (for small diameters)

Description	Part Number	Package Quantity
EWZG-RSZ	1102855-6	1

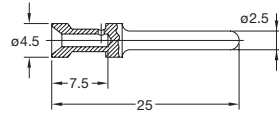
Heavy-Duty Connector Crimp Contacts and Crimping Tools (continued)

Crimp Contacts
Series: HE/HA

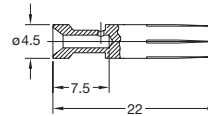
■ Contact Inserts:
HE + HA



Pin Contact



Socket Contact



Pin/ Socket	Plating/ Finish	Wire Cross Section (mm ²)	Part Number	Package Quantity
Pin	Silver Plated	0.50	1-1105100-1	100
Pin	Silver Plated	0.75–1.00	2-1105100-1	100
Pin	Silver Plated	1.50	3-1105100-1	100
Pin	Silver Plated	2.50	4-1105100-1	100
Pin	Silver Plated	4.00	5-1105100-1	100
Socket	Silver Plated	0.50	1-1105101-1	100
Socket	Silver Plated	0.75–1.00	2-1105101-1	100
Socket	Silver Plated	1.50	3-1105101-1	100
Socket	Silver Plated	2.50	4-1105101-1	100
Socket	Silver Plated	4.00	5-1105101-1	100
Pin	Gold Plated	0.50	1-1105100-2	100
Pin	Gold Plated	0.75–1.00	2-1105100-2	100
Pin	Gold Plated	1.50	3-1105100-2	100
Pin	Gold Plated	2.50	4-1105100-2	100
Pin	Gold Plated	4.00	5-1105100-2	100
Socket	Gold Plated	0.50	1-1105101-2	100
Socket	Gold Plated	0.75–1.00	2-1105101-2	100
Socket	Gold Plated	1.50	3-1105101-2	100
Socket	Gold Plated	2.50	4-1105101-2	100
Socket	Gold Plated	4.00	5-1105101-2	100

Hand Tools



Description	Part Number	Package Quantity
RSZ.HE-HN.D-HVT	1-1105851-8	1



Description	Part Number	Package Quantity
AWZG-HEQ5-RSZ	1102855-7	1



Description	Part Number	Package Quantity
EWZG-RSZ	1102855-6	1

Heavy-Duty Connector Housings and Contact Inserts

Schuko Housing

Technical Data

No. of Positions:
2+PE

Nominal Current:
10 A

Nominal Voltage:
250 V ~

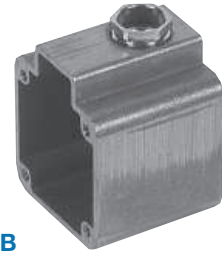
Temperature Range:
-40 °C up to +125 °C

Type of Connection:
Screw Terminal (0.5–2.5 mm²)



A

2+PE
10 A/250 V
Screw terminal 0.5–2.5 mm²



B

No.	Description	Width (mm)	Length (mm)	Height (mm)	Part Number	Package Quantity
A	UPM	51.0	53.5	61.0	1-1102975-9	5
B	AP.M.11	51.0	48.0	61.0	1-1102978-9	5